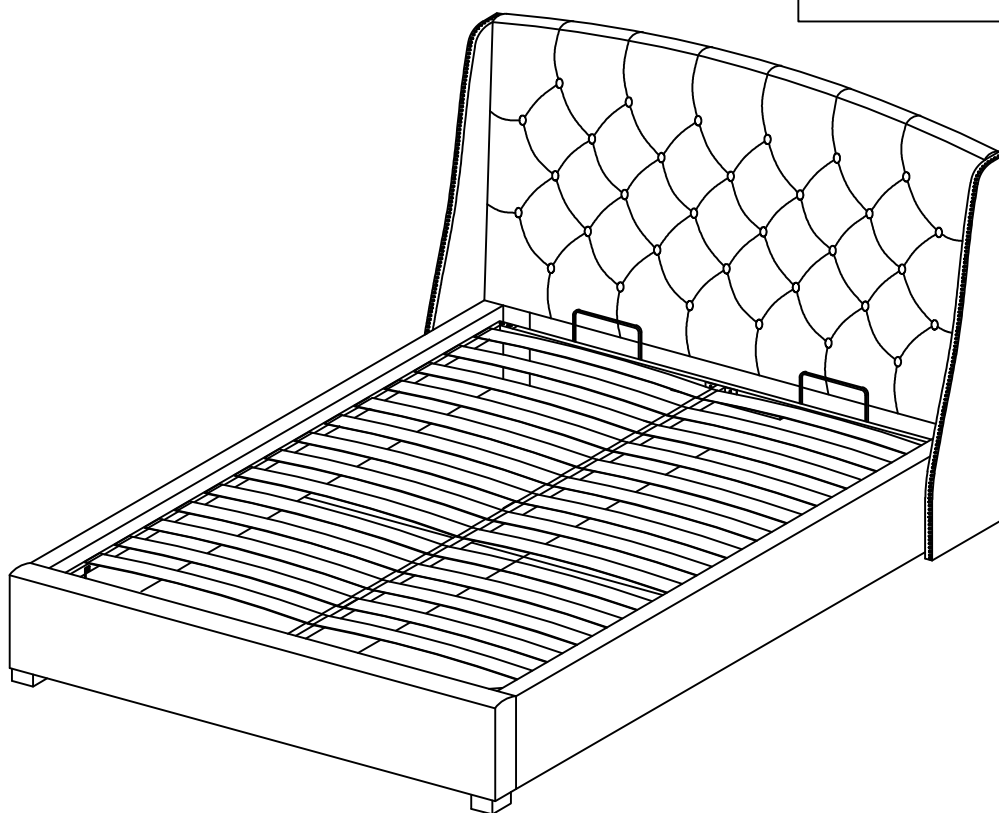
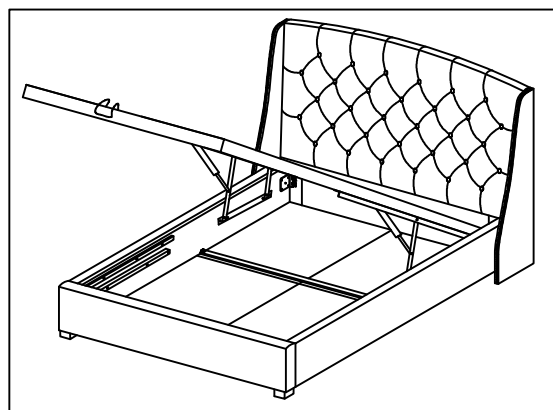


SAREER FURNITURE

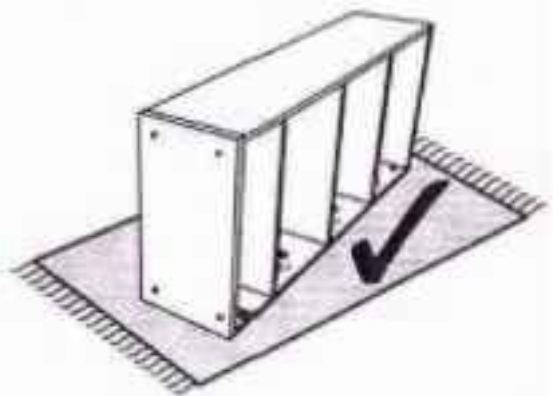
SIGNATURE OTTOMAN 4FT6 BED

Assembly Instructions





**Extra
Tools Required
Screwdriver**



HARDWARE



A

M6 x 30mm
(13 PCS)



B

M6 x 45mm
(6 PCS)



C

M6 x 70mm
(6 PCS)



D

(24 PCS)



E

(12 PCS)



F

M3.5 x 16mm
(4 PCS)



G

M8 x 30mm
(4 PCS)



H

M4 Allen Key
(1 PC)



I

M5 Allen Key
(1 PC)



J

M6 x 40mm
(8 PCS)



K

M8 x 40mm
(4 PCS)



L

M8 x 70mm
(12 PCS)



M

M6 Flat Washer
(18 PCS)



N

M6 Spring Washer
(4 PCS)



O

M8 Flat Washer
(20 PCS)



P

M8 Spring Washer
(20 PCS)



Q

M6 Hex Nut
(4 PCS)



R

M8 Hex Nut
(20 PCS)



S

Spanner (10mm)
(1 PCS)



T

Spanner (13mm)
(1 PCS)



U

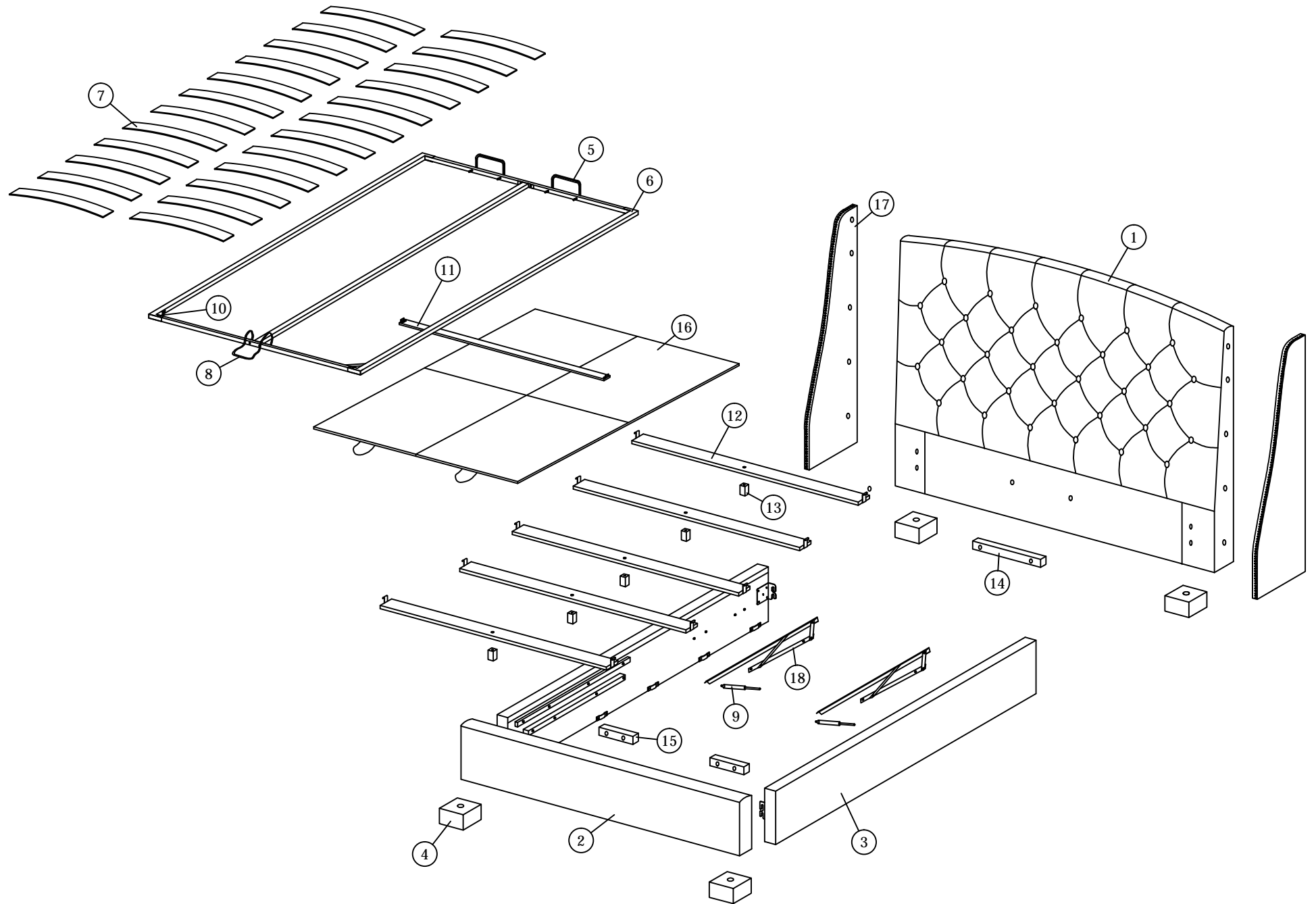
Special Hex Nut
(4 PCS)



V

M8 Plastic Cover
(8 PCS)

PARTS



Safety Advice

Please take the time to carefully read through the whole of these instructions before you commence.

Keep these instructions for future reference.

Unpack, inspect and check off all of the contents.

Please dispose of all packaging safely.

Small component parts could choke a child if swallowed.

We strongly recommend that you keep children well away from the work area.

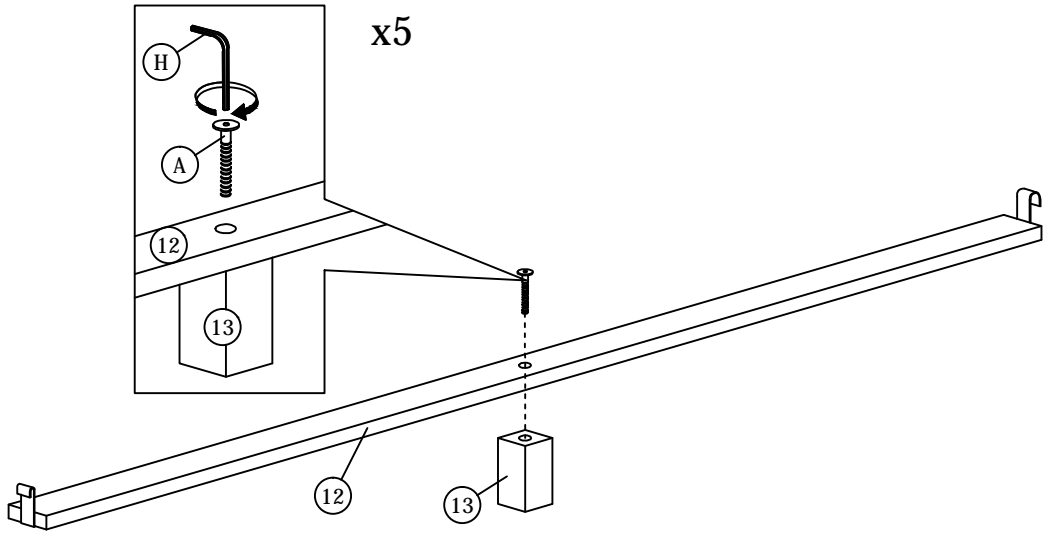
It would be sensible to lay a sheet or blanket on the floor where you intend to work to avoid scratching this product and to protect your floor.

This product is heavy. Take extreme care when lifting to avoid personal injury or damage to the product.

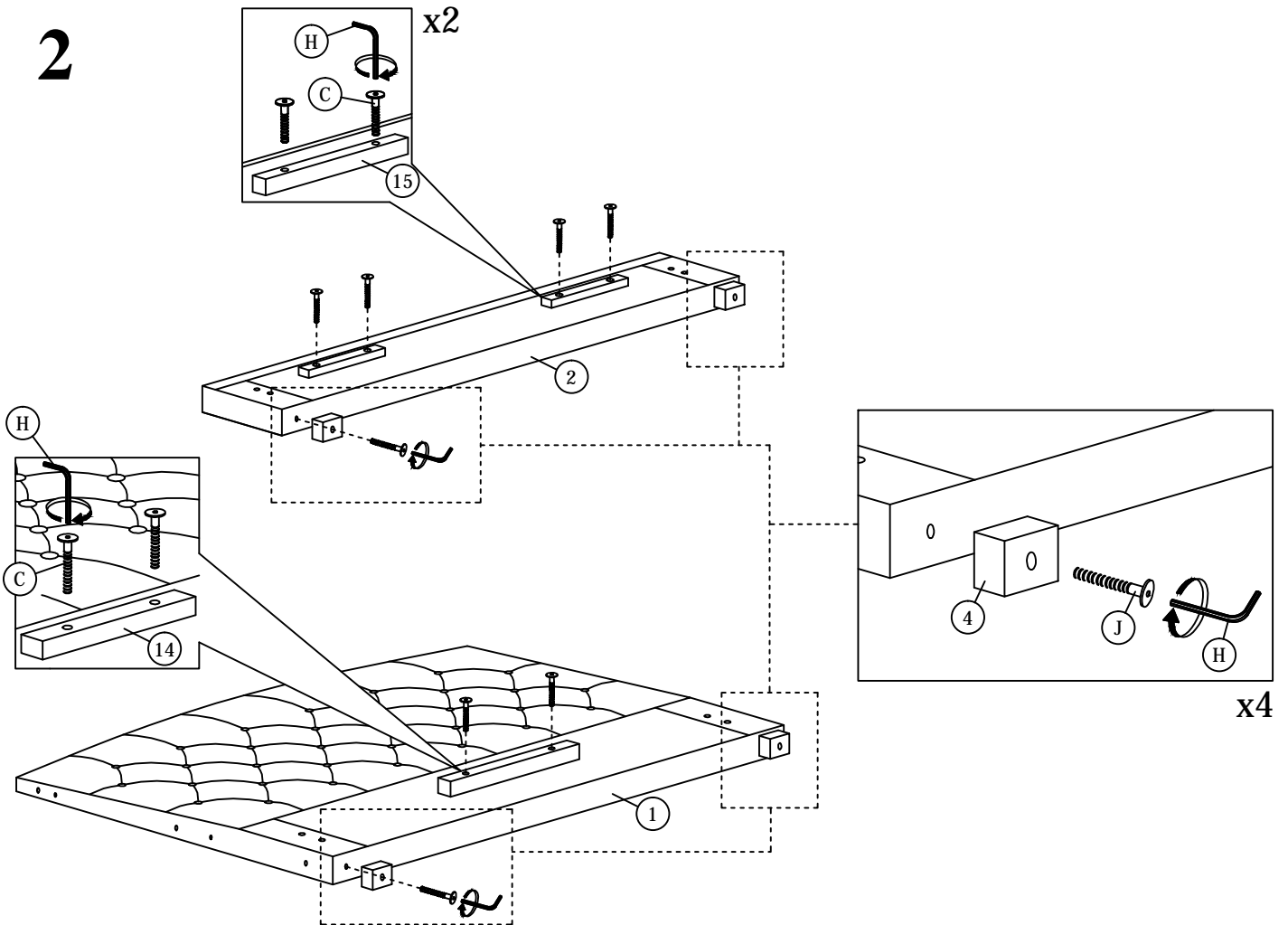
Assemble the product as close to its intended final position in the room as possible.

HANDY HINT: If you keep the hardware in a bowl during assembly you will be less likely to lose them.

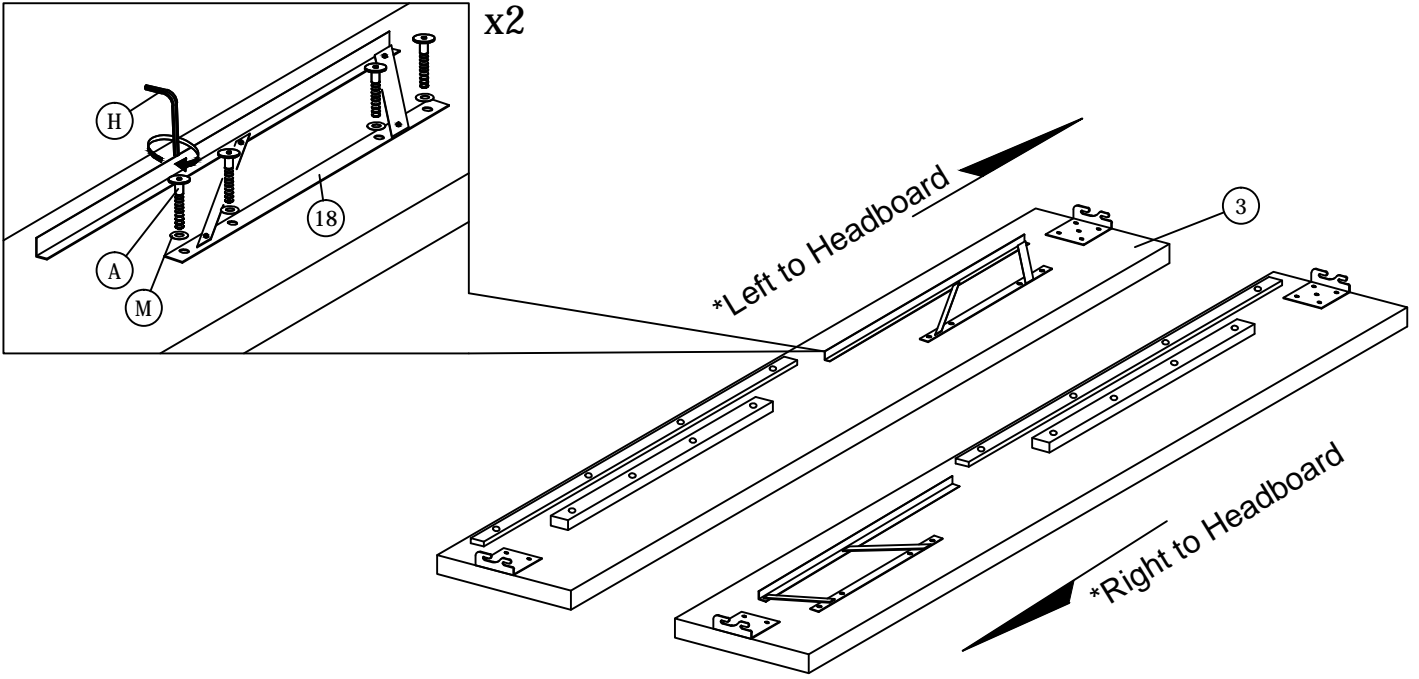
1



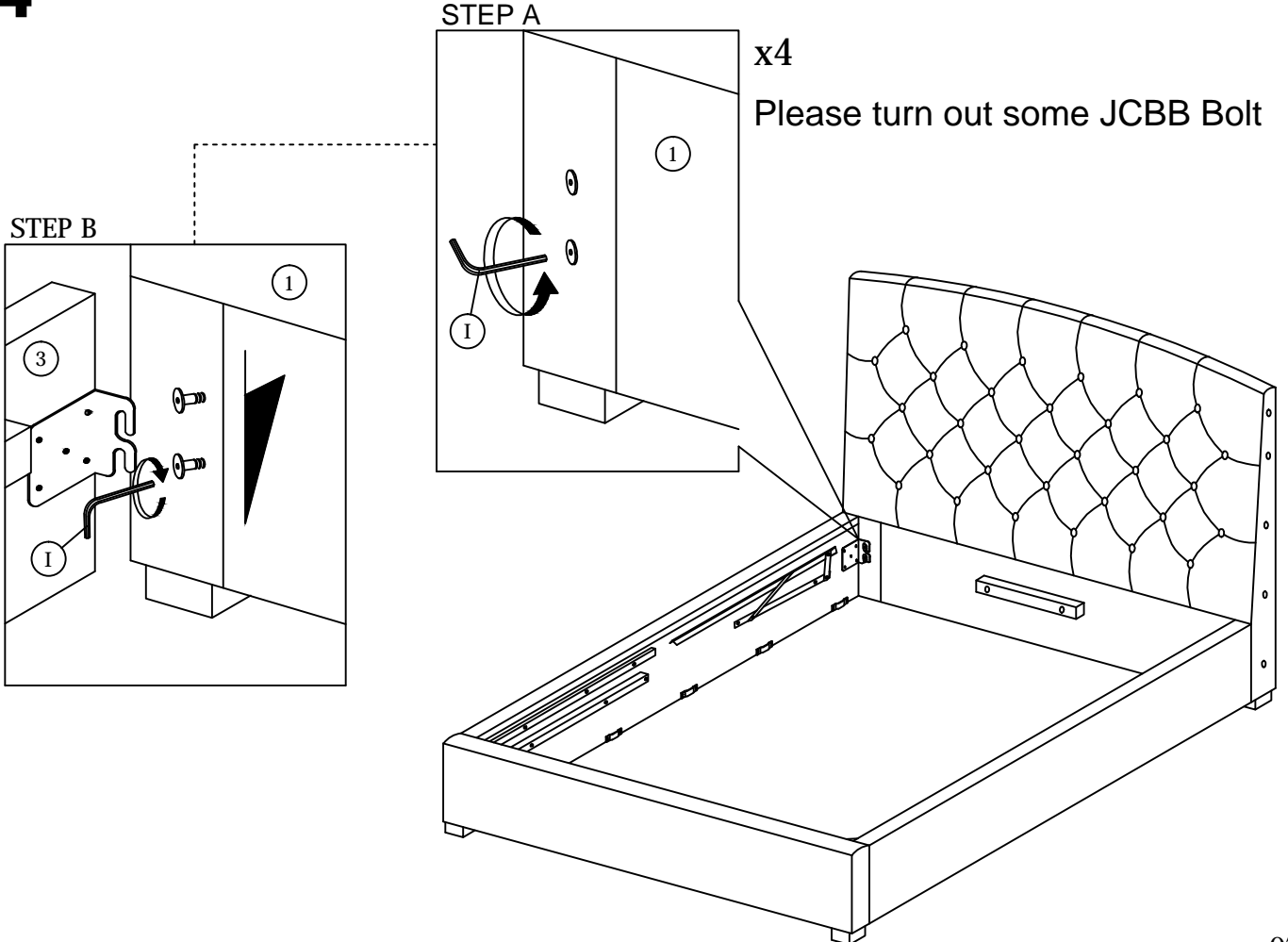
2



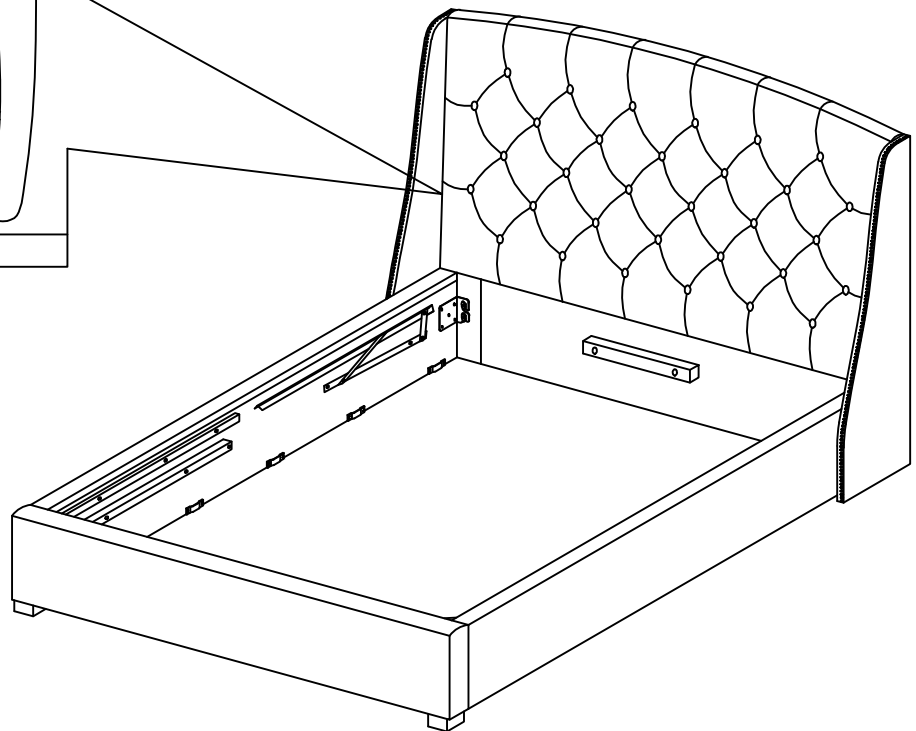
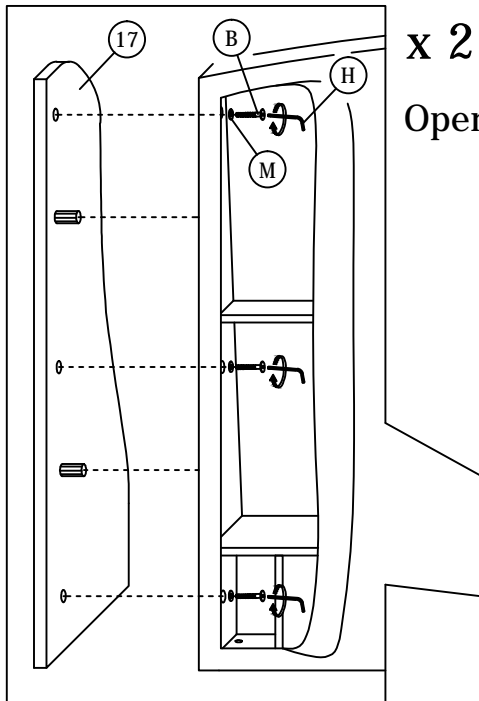
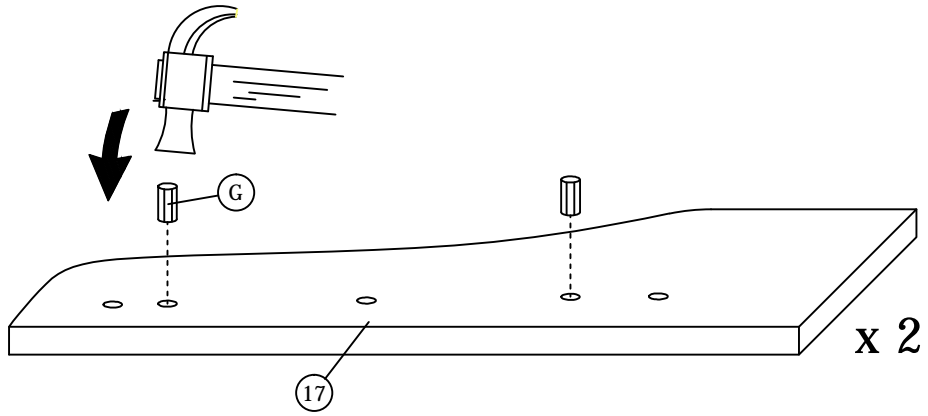
3



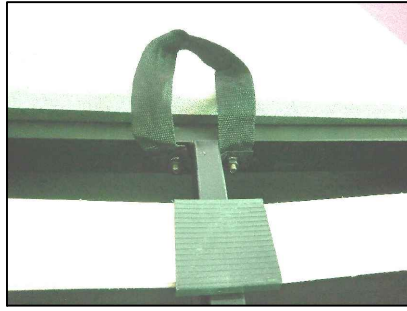
4



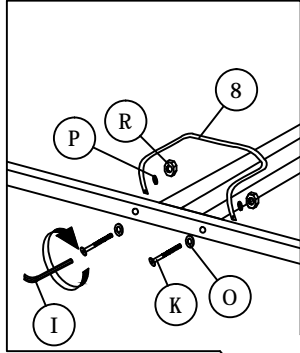
5



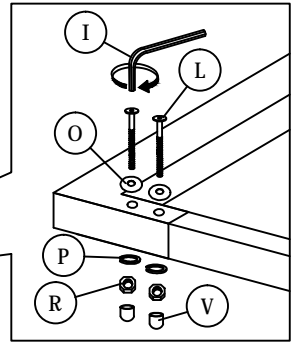
6



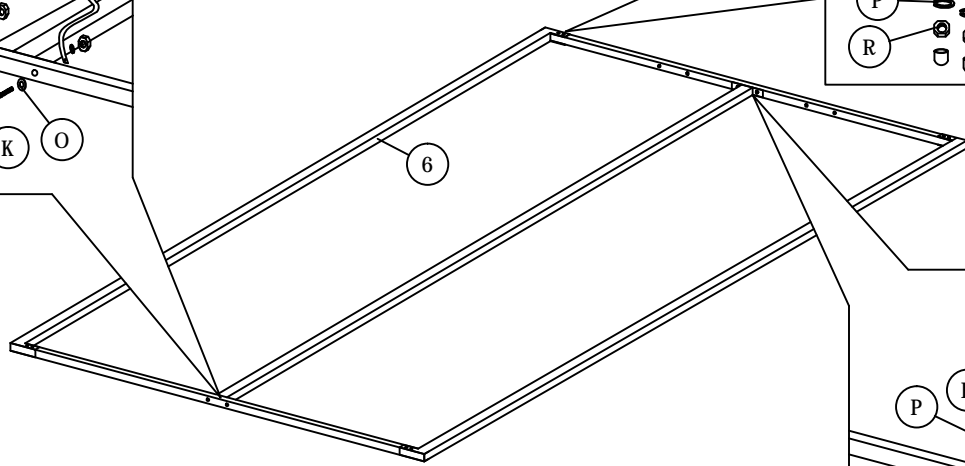
STEP C



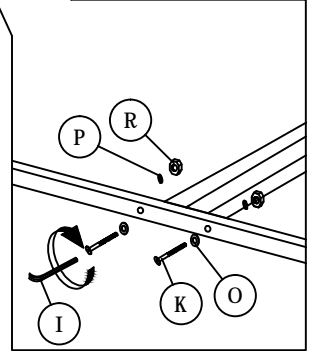
STEP A



X 4

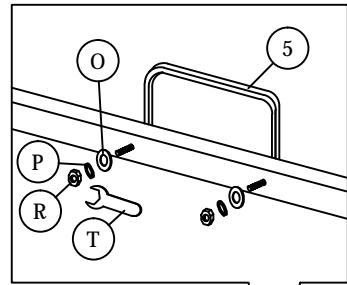


STEP B



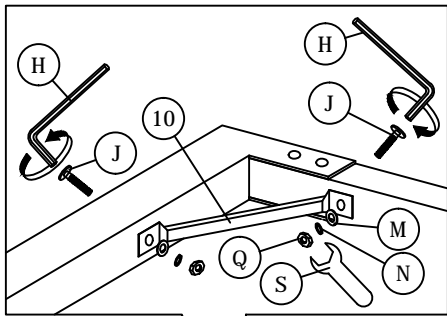
7

STEP B

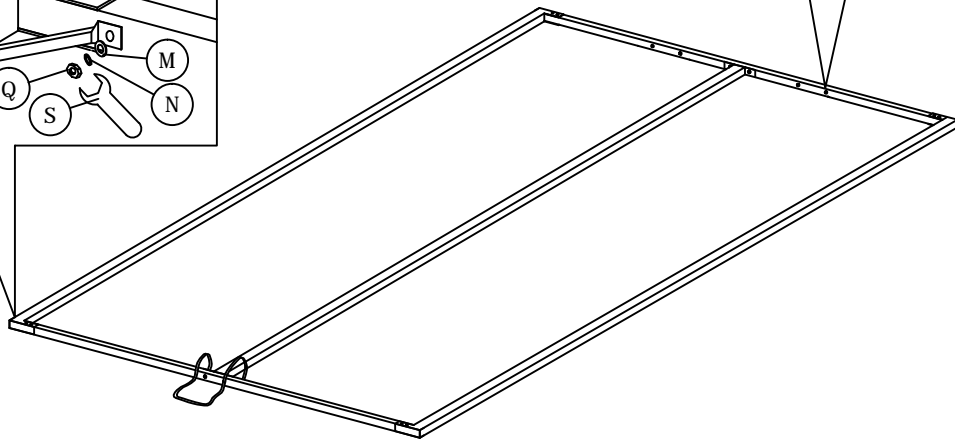


X 2

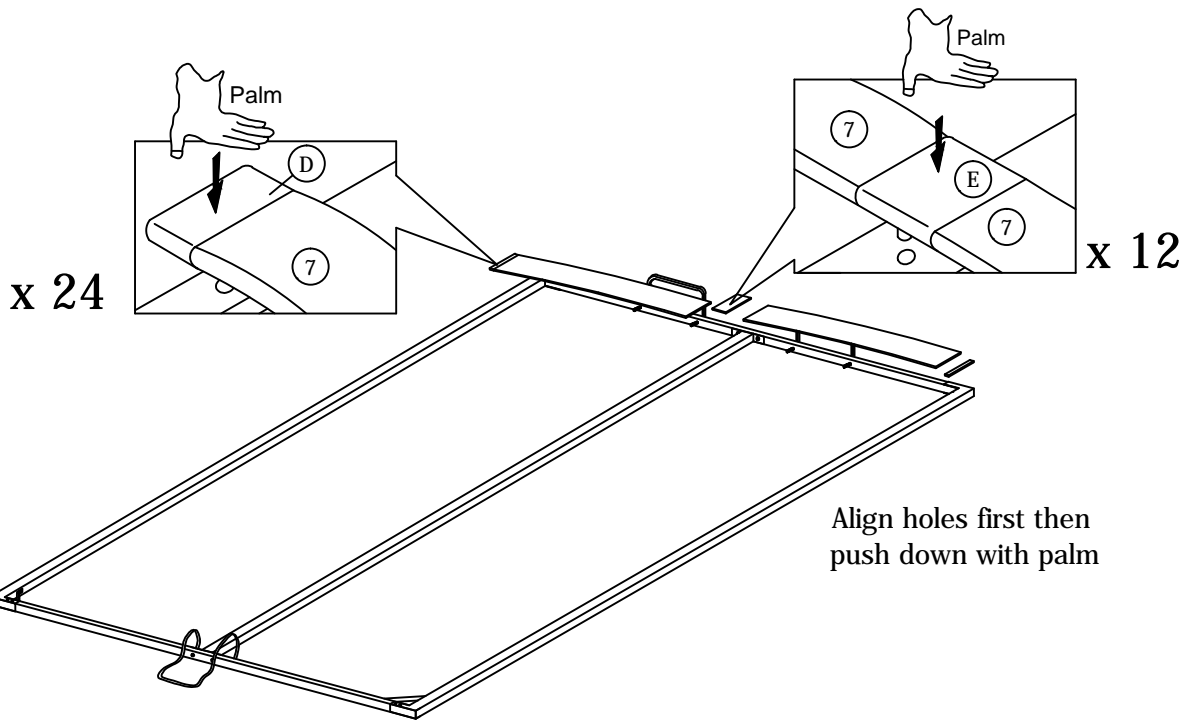
STEP A



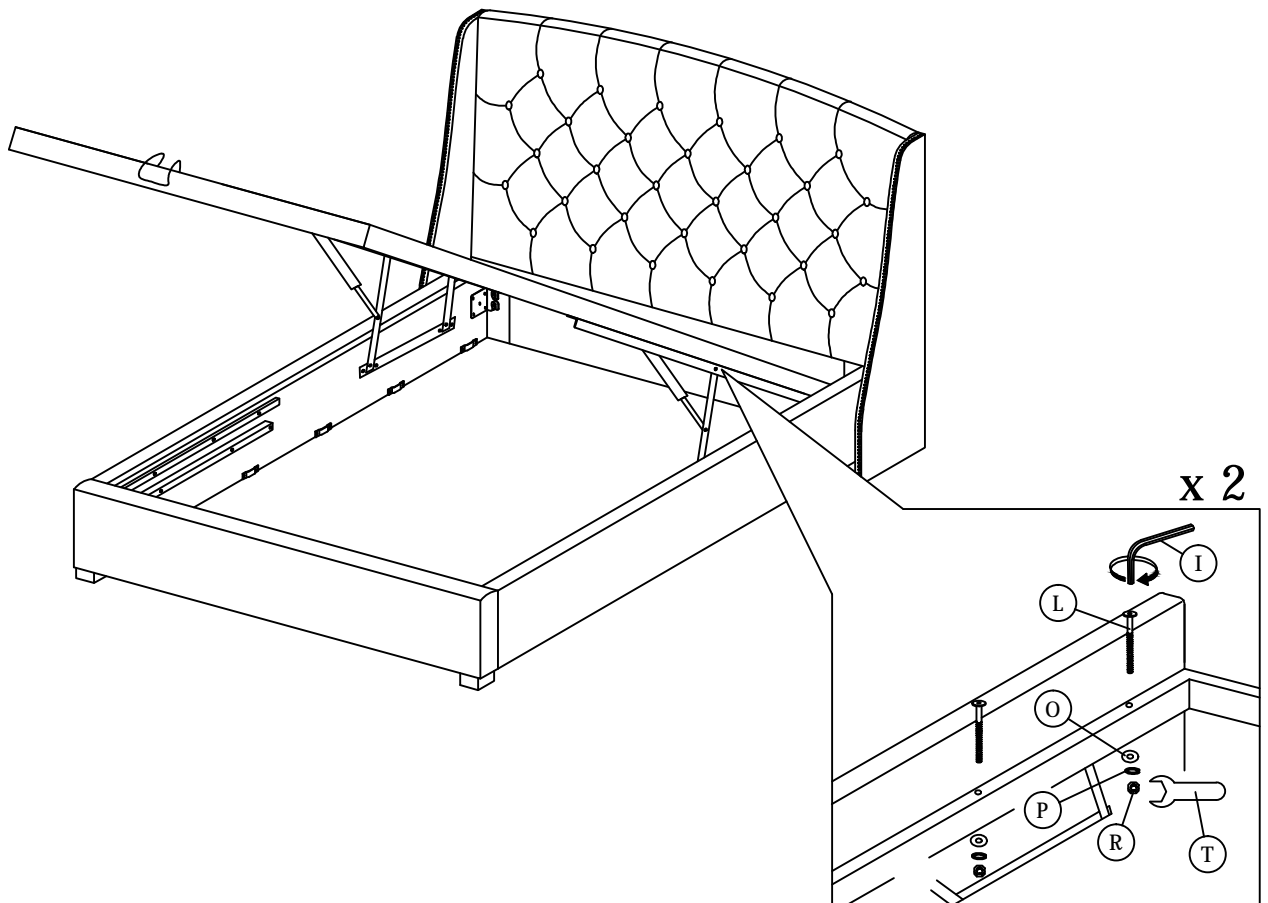
X 2



8



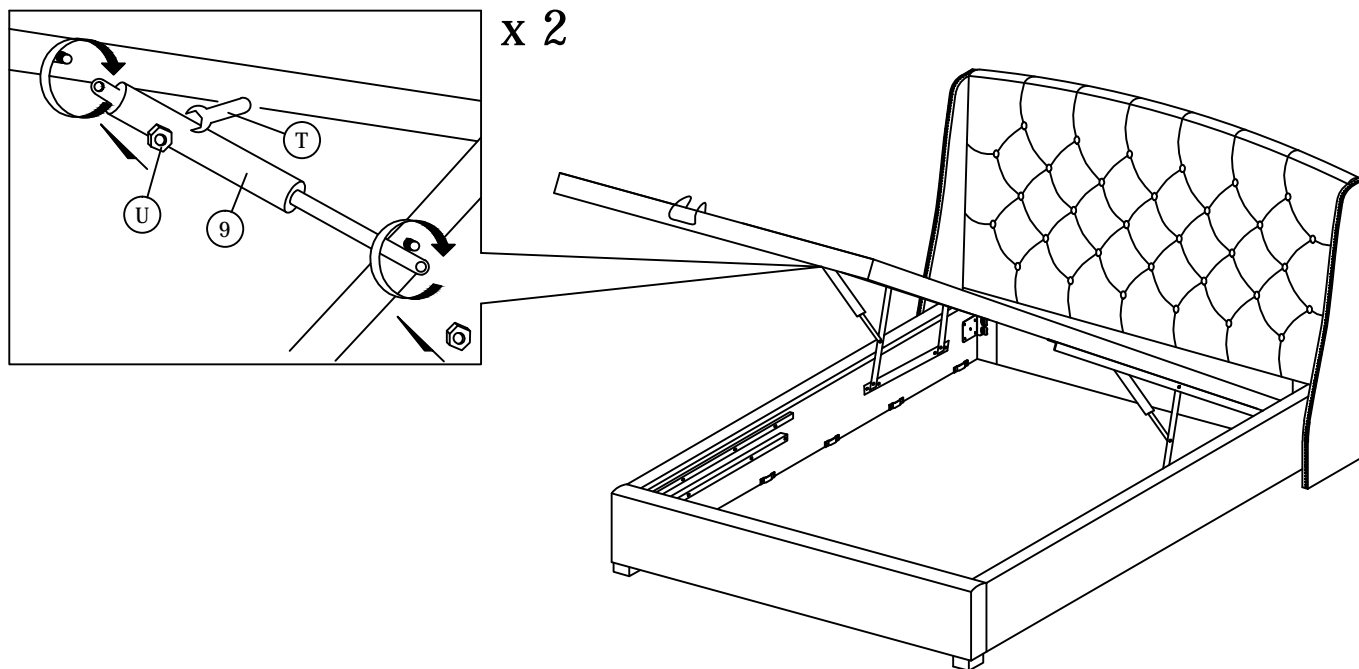
9



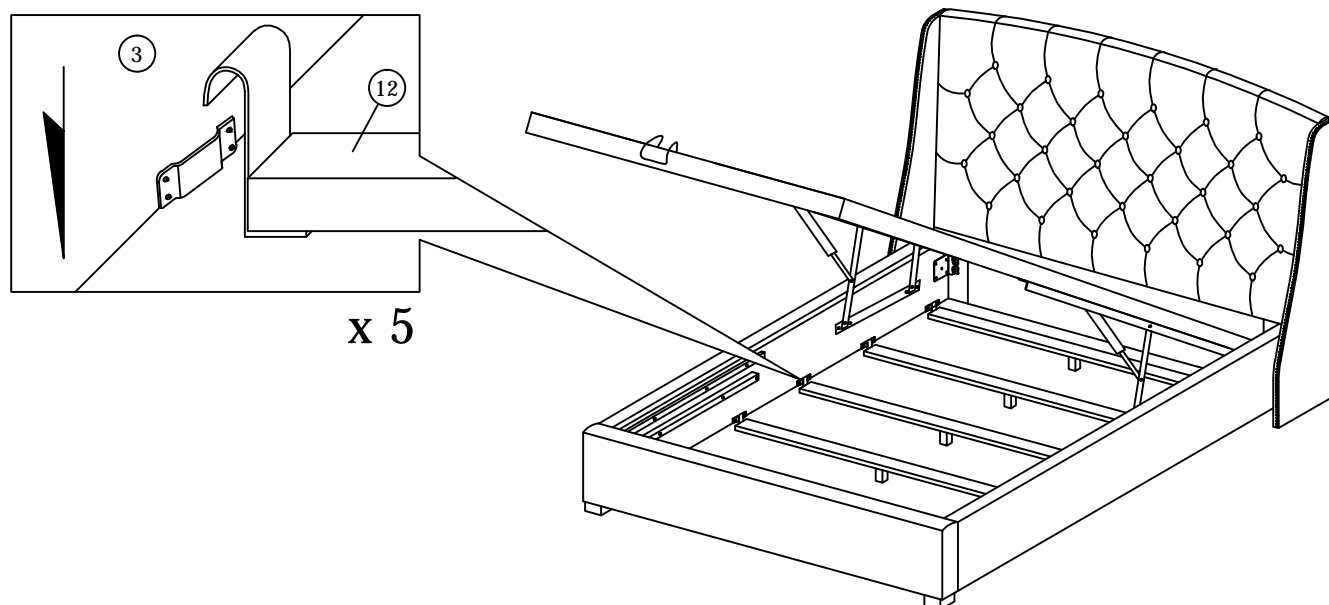
10

Attention :

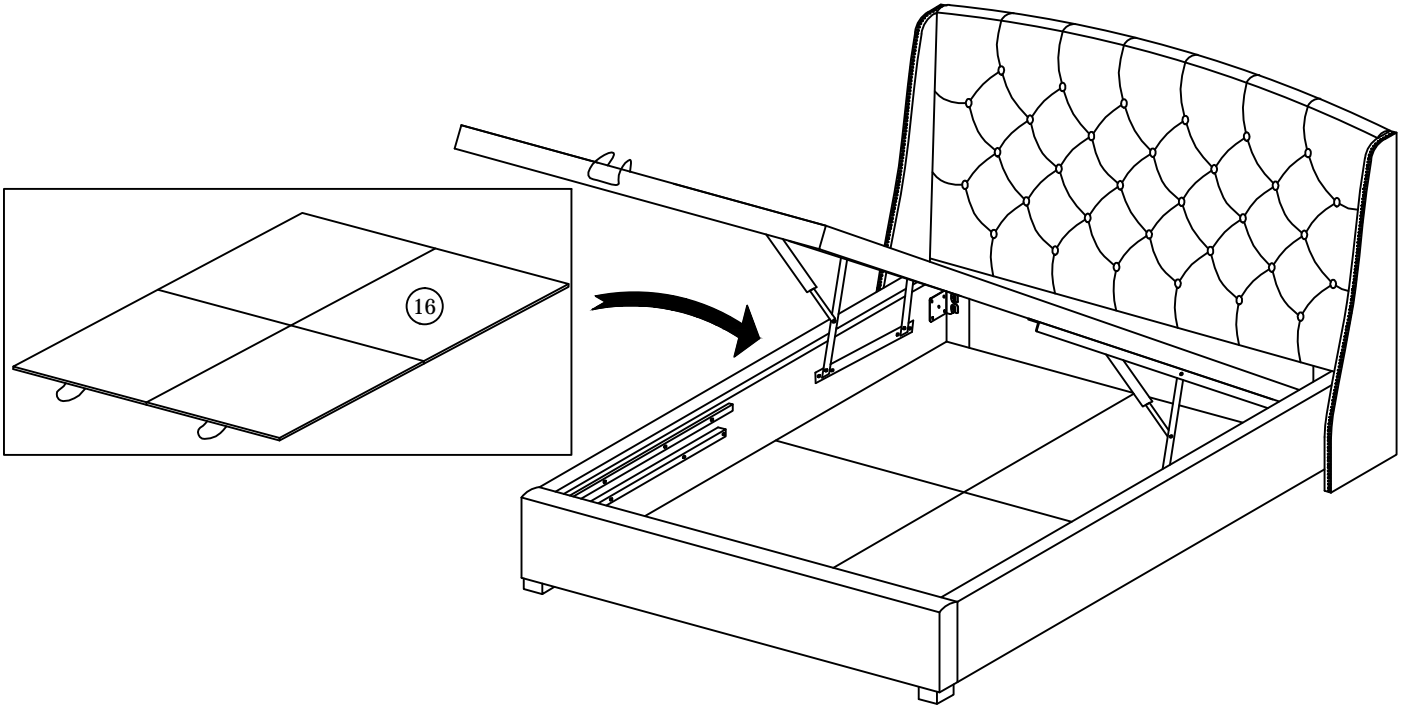
A person need to hold up the metal frame from footboard side, and the other person assemble the gas spring (Item 9).



11

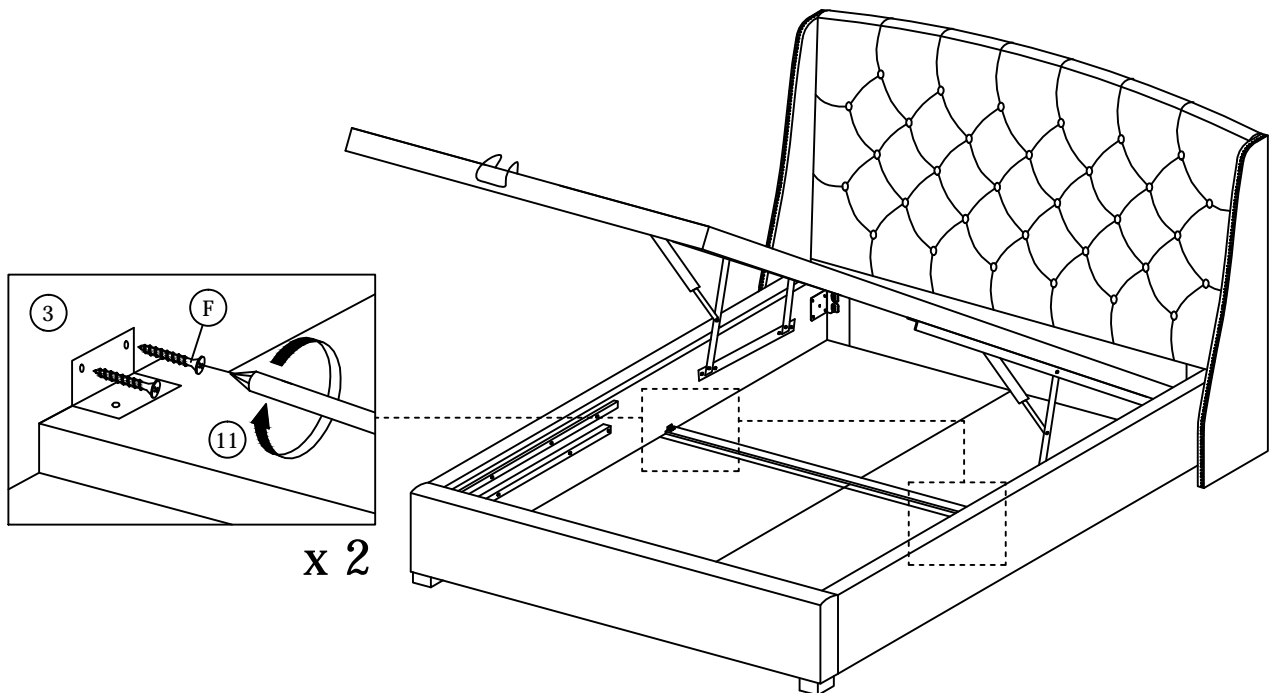


12



13

Note : Follow the line drawing to assemble the center support.



14

Attention :

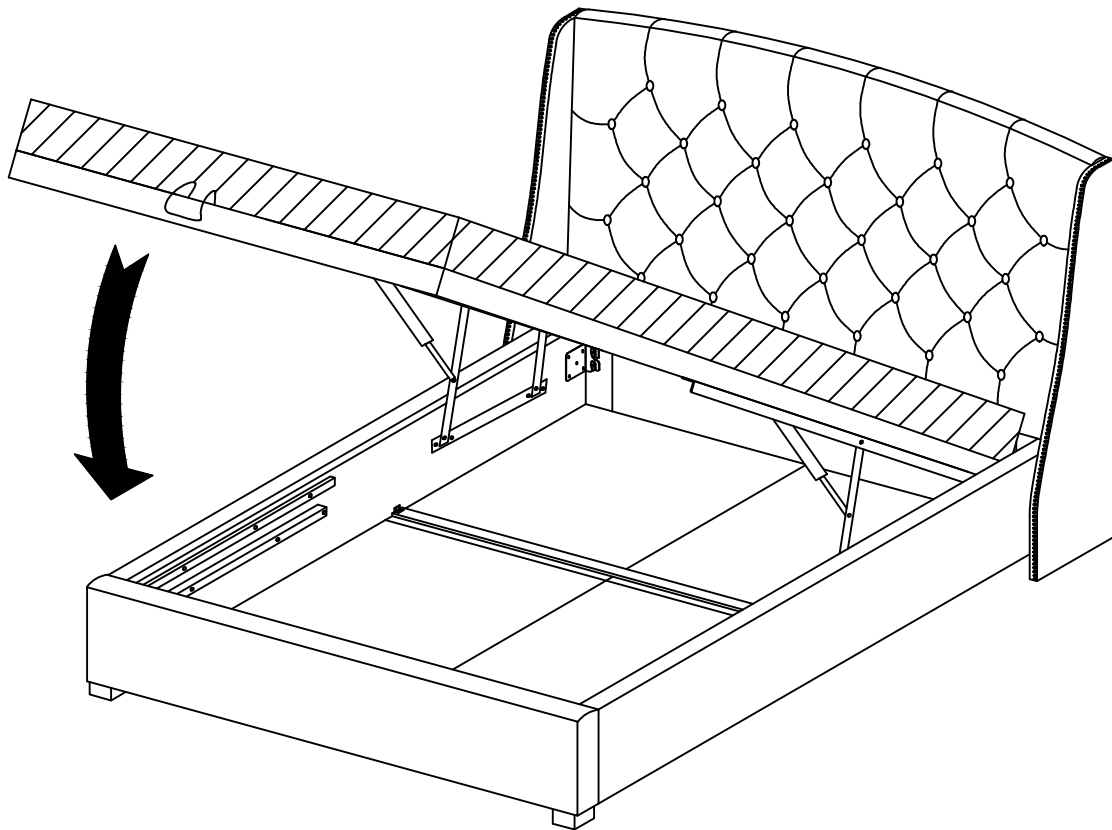
1. Place your mattress onto the bed frame BEFORE closing or this could results in damage to the bed (MATTRESS NOT INCLUDED) .

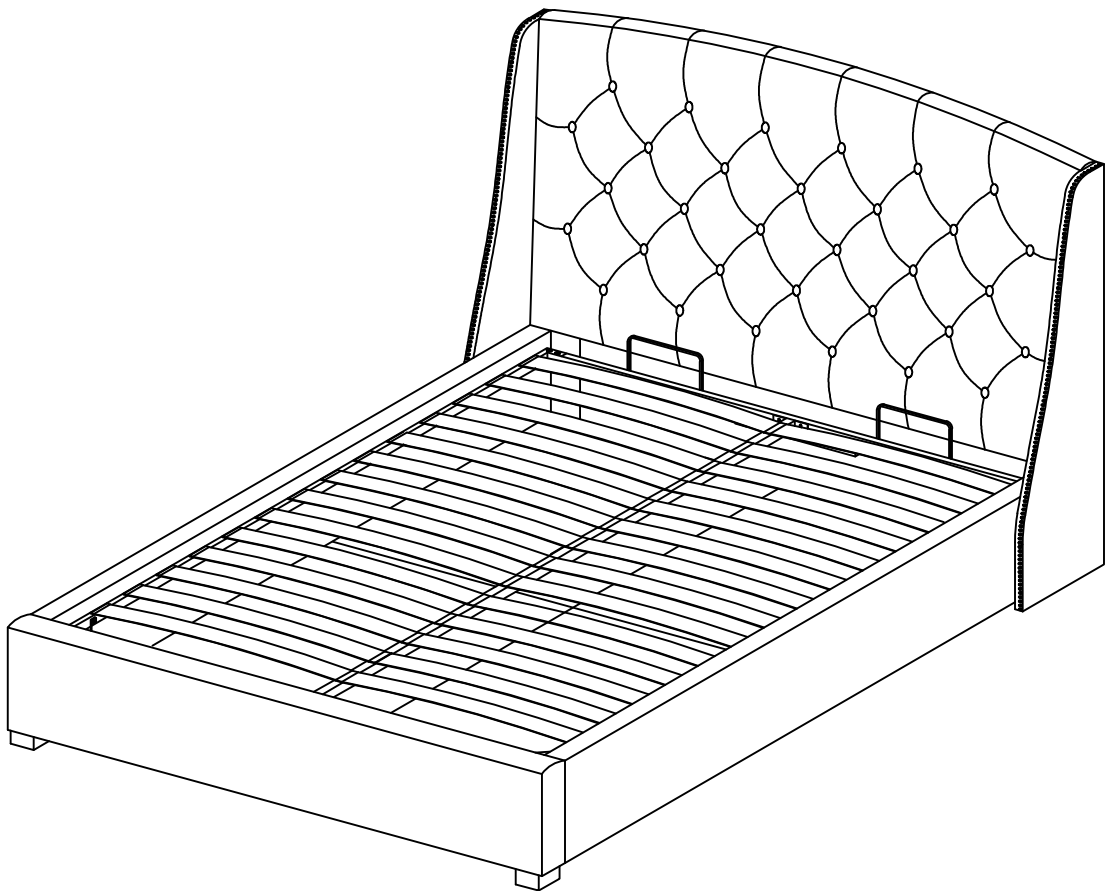
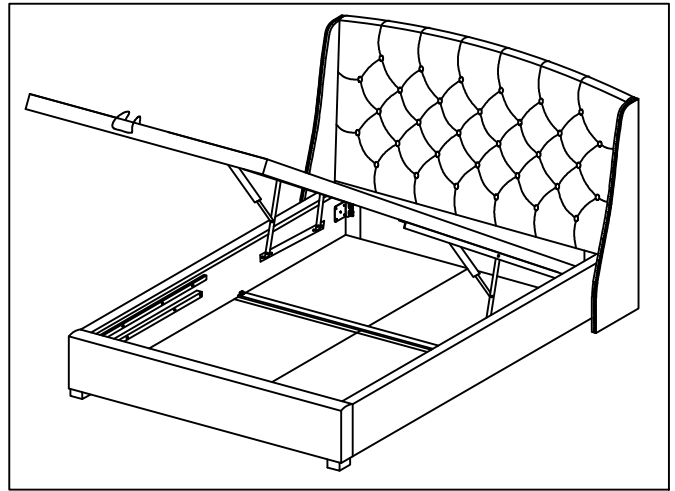
2. It is imperative that the bed is aligned squarely to prevent the frame from catching on and damaging the upholstered side rails

Please use extra caution when opening and closing the bed for the first few times.

Ensure a similar spacing on each side of the frame.

Ensure open and close the bed frame through center of bed by using black color belt on center of metal frame.





General Care

Wipe clean with a slightly damp soft cloth.

Avoid the use of all household cleaners and abrasives.

When moving your furniture, carefully lift into place.

Never drag or push the pieces across the floor as this will cause damage to the joints and could result in failure to the product that will invalidate the warranty.

Recommendations

Periodical re-tightening of fixings.

Warning

This unit is heavy. Please use an assistant when lifting.

Sareer Furniture

Savile Business Centre, Mill Street East, Dewsbury, West Yorkshire, WF12 9AH.

E-mail: info@sareerfurniture.co.uk

www.sareerfurniture.co.uk

