

# Birlea

Suppliers of inspiration

## Assembly Instructions

---

*Thank you* for  
purchasing a  
Birlea product.

For a chance to win a *Love 2 Shop* voucher simply post a picture of your new product on your preferred social channels tagging Birlea Furniture and using the hashtag **#ShareYourStyle** and **#Birlea**. One winner will be selected at random each month.

*To view our full terms and conditions please visit our website. [www.birlea.com](http://www.birlea.com)*

---

### Are you happy with your purchase?

**Yes:** That's great, we would love to hear more from you. Please leave us a review on our social media channels or Trustpilot. Your feedback will be greatly appreciated.

**No:** If for any reason there is something missing, indifferent or incorrect with your order, please contact the retailer you purchased the item from. We will work with the retailer to resolve your issue as quickly as possible.



[www.birlea.com](http://www.birlea.com)

## **ASSEMBLY INSTRUCTIONS** **URBAN 4 DOOR WARDROBE**

**IMPORTANT : READ THESE INSTRUCTIONS CAREFULLY BEFORE ATTEMPTING TO ASSEMBLE OR USE YOUR URBAN 4 DOOR WARDROBE.**

**PLEASE KEEP THESE INSTRUCTIONS FOR FUTURE REFERENCE.**

### **ASSEMBLY:**

Assembly should be carried out with this item laying flat, not standing upright.

Assemble on a soft, clean surface to prevent damages.

To erase the numbers printed on the pieces, use the rubber inside the accessories pack.

### **HEALTH & SAFETY:**

DO NOT use this product if any parts are missing, damaged or worn.

DO NOT use this product unless all fixings are secured.

Always use on a level, even surface.

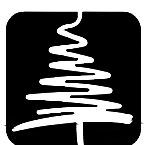
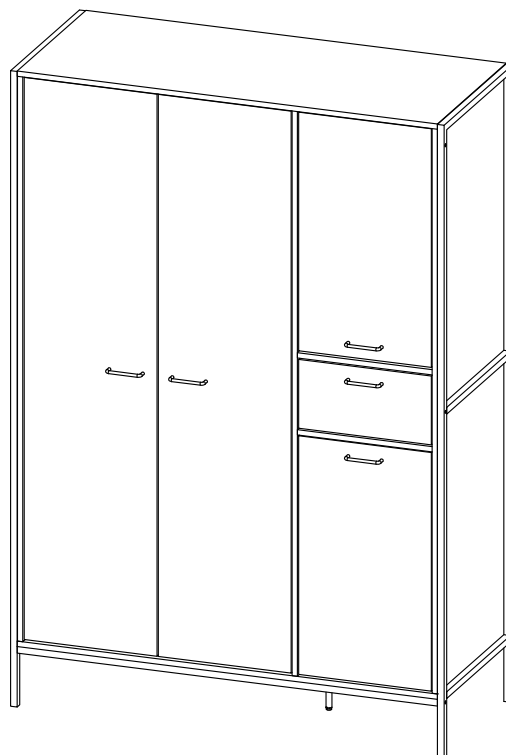
### **CARE & MAINTENANCE:**

Periodically check all screws & fixings to ensure they are secure.

DO NOT push this product as this will cause damage.

Always lift this product with two people to repositions.

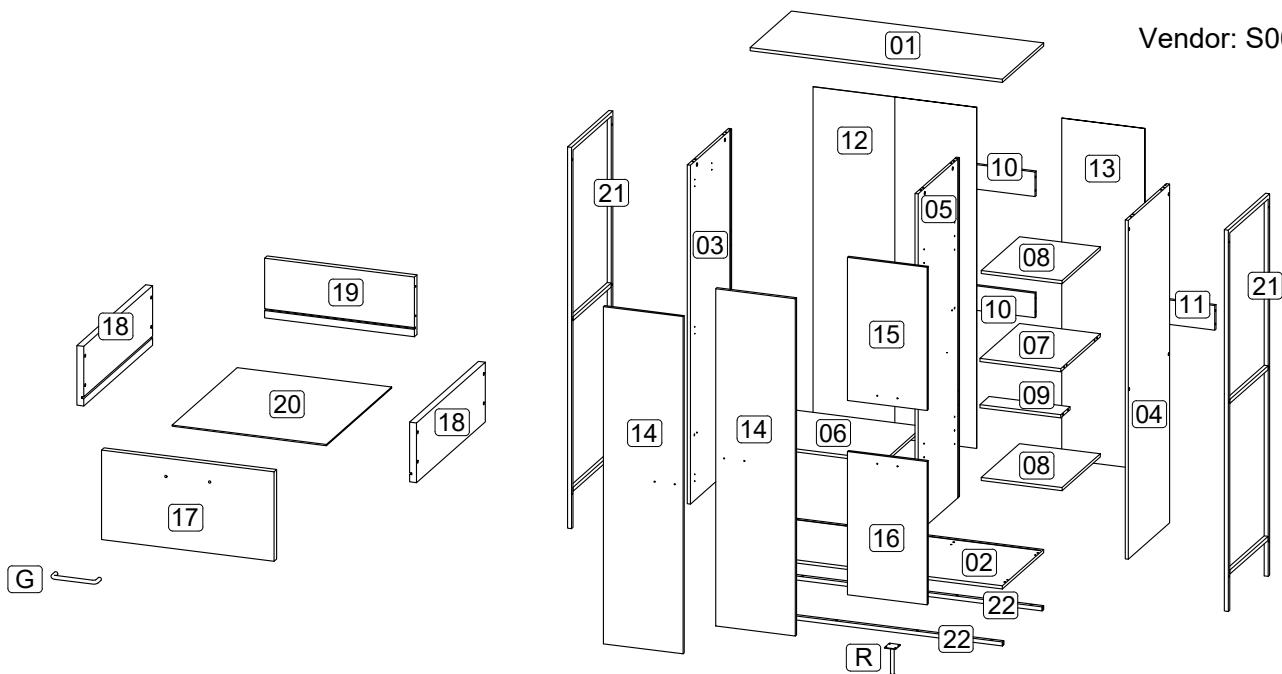
Keep any sharp objects away from this product.



**Birlea**

Suppliers of inspiration

[www.birlea.com](http://www.birlea.com)

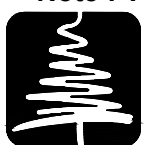


Parts List				Hardware List ( BOX 3 )			
Part	Description	Box	Qty	Part	Description		Qty
01	Top panel	3	1	A1	Cam lock		28
02	Bottom panel	3	1	A2	Minifix screw		28
03	Side panel ( Left )	1	1	A3	Plastic cap		28
04	Side panel ( Right )	1	1	B	M8 x 30mm Wood Dowel		22
05	Center panel	1	1	C	M6 x 50mm CSK Cap Wood screw		6
06	Middle panel ( Left )	3	1	D	M3.5 x 16mm C.B Screw		62
07	Middle panel ( Right )	3	1	E	7/8 Hinges		10
08	Shelf panel	3	2	F	Allen key M4		1
09	Middle bone	3	1	G	Handle 100.96. BLM		5
10	Back bone ( Left )	3	2	H	Handle screw M4 x 19mm		10
11	Back bone ( Right )	3	1	I	JCBC screw M6 x 30mm		16
12	Back panel ( Left )	2	1	J	JCBC screw M6 x 40mm		4
13	Back panel ( Right )	2	1	K1	Stud 192		10
14	Door panel ( Left & Right )	2	2	K2	Stud 192 screw		10
15	Door panel ( Up )	2	1	L	Drawer stopper ( 2 Pin )		1
16	Door panel ( Down )	2	1	M	433 Oval tube bracket		2
17	Drawer front	3	1	N	433 Oval paip		1
18	Drawer side	3	2	O	M4 x 38mm C.B Screw		8
19	Drawer back	3	1	P	Metal shelf support		8
20	Drawer bottom	3	1	Q1	16" Drawer slide (Left / Right)		2
21	Metal Side ( Left & Right )	1	2	Q2	16" Drawer slide (Left / Right)		2
22	Metal middle	3	2	R	Metal leg 50 x 50 x H165mm (Center)		1
				S	8" x 1" PP tape		2
				T	Wall plug		-

**\*\* You will need a small mallet and a screwdriver for assembly.**

**\*\* Some screws and wooden dowel may remain.**

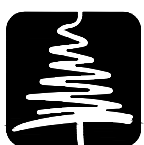
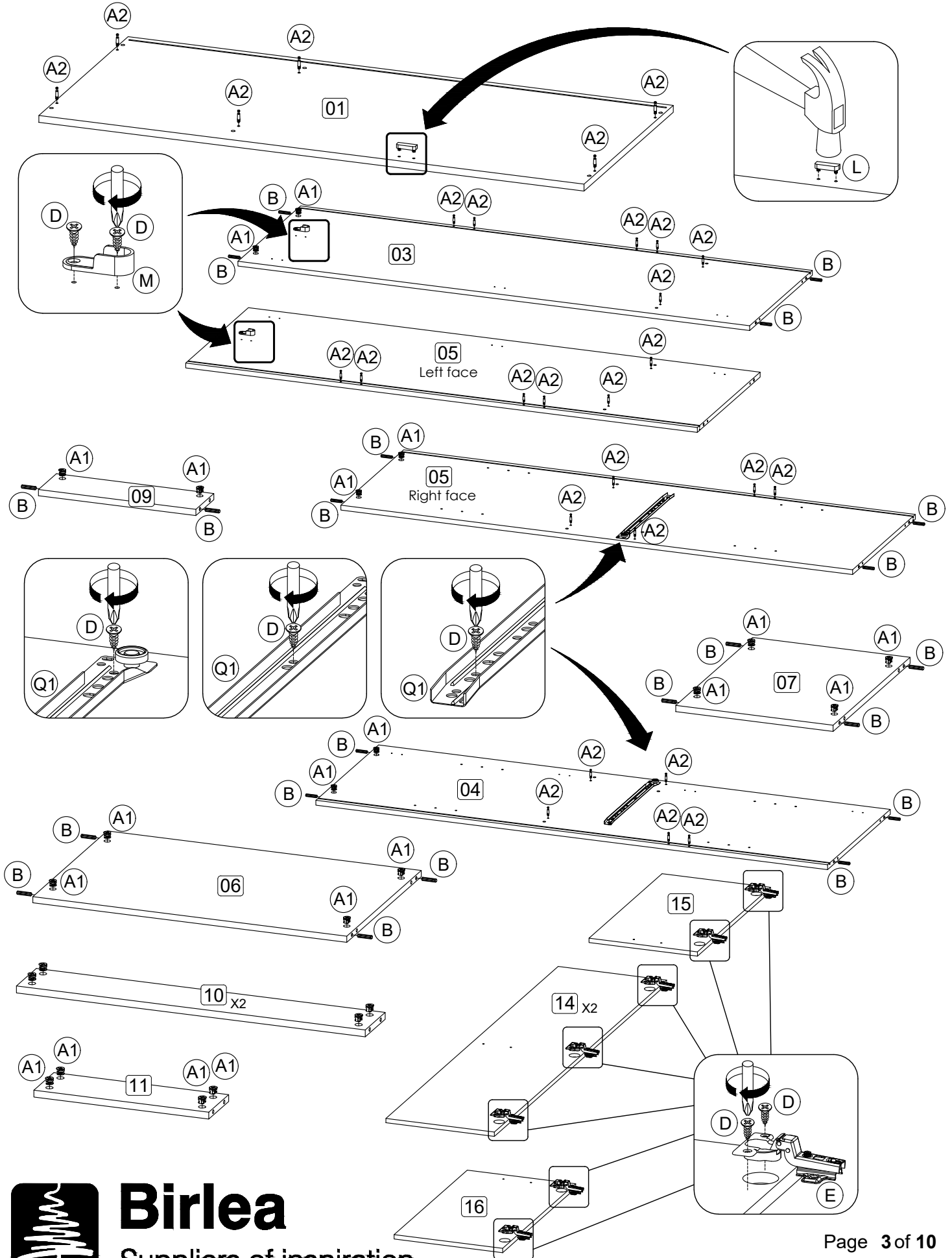
**\*\* Note : To secure the item to the wall, hardware O ( 2 pcs ) and T ( 2 pcs ) are not provided.**



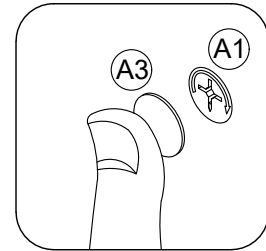
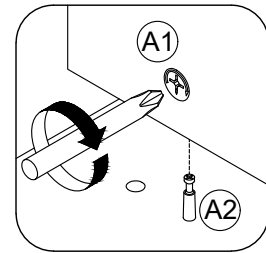
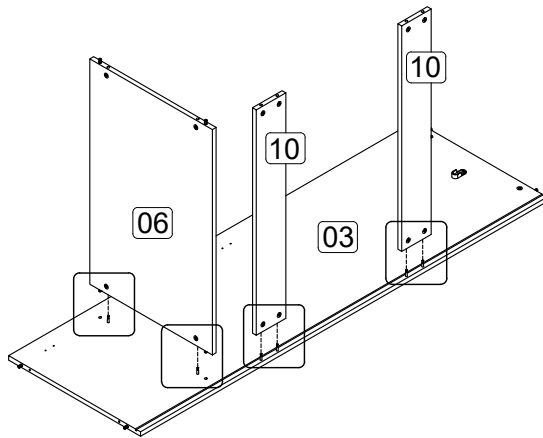
# Birlea

Suppliers of inspiration

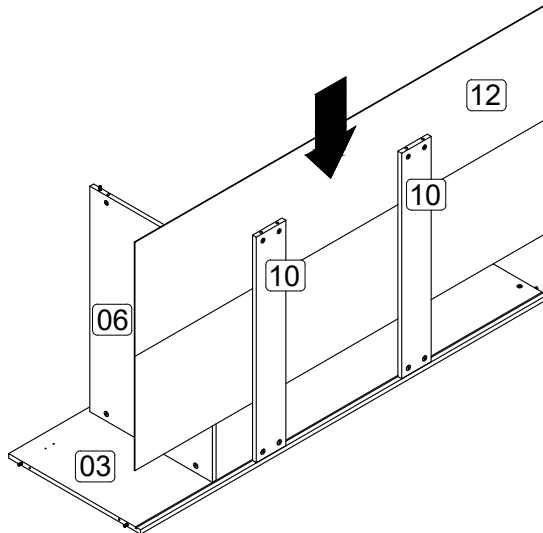
**Step 1:** Prepare these parts for assembly using hardware parts A1, A2, B, D, E, L, M and Q1.  
**DO NOT use any power tools as this may damage the frame and will invalidate any claim.**



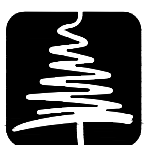
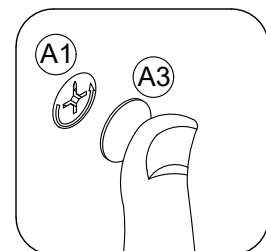
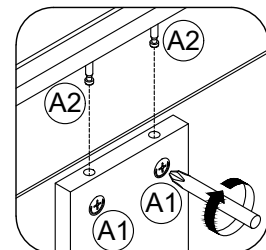
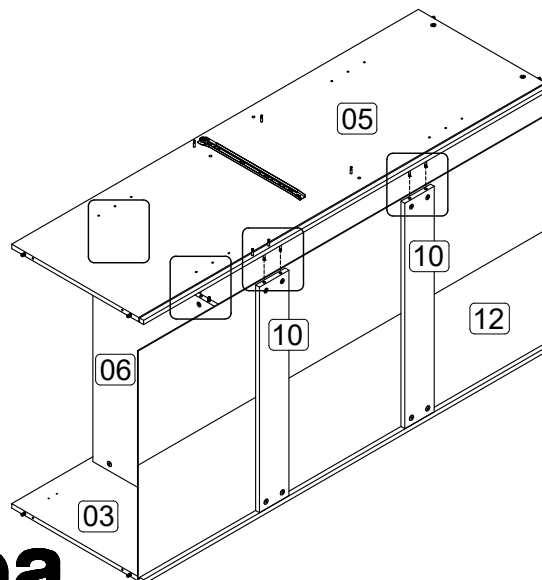
**Step 2:** Attach the panel (6) and (10) to panel (3) using hardware A1 and A3 with a screwdriver (not provided).  
**DO NOT use any power tools as this may damage the frame and will invalidate any claim.**



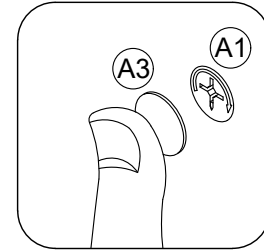
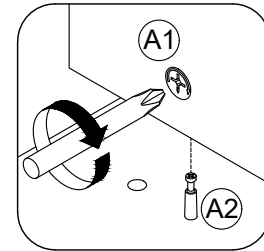
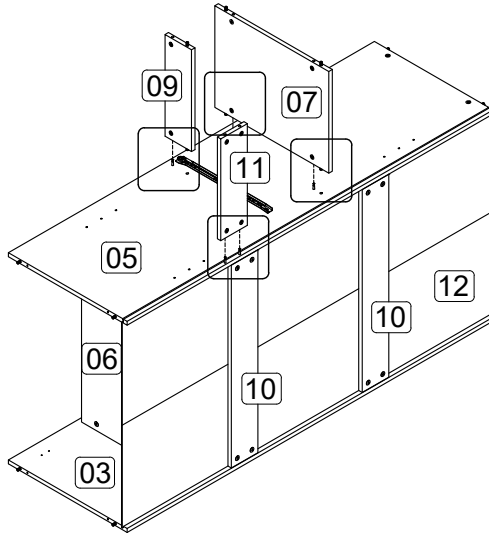
**Step 3:** Insert the panel (12) along the slot.  
**DO NOT use any power tools as this may damage the frame and will invalidate any claim.**



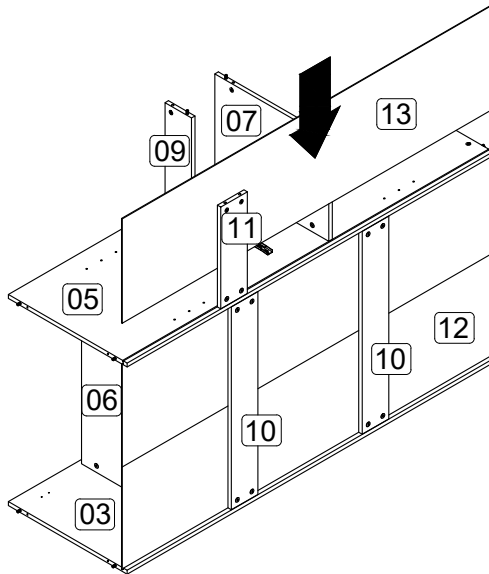
**Step 4:** Attach the panel (6) and (10) to panel (5) using hardware A1 and A3 with a screwdriver (not provided).  
**DO NOT use any power tools as this may damage the frame and will invalidate any claim.**



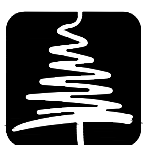
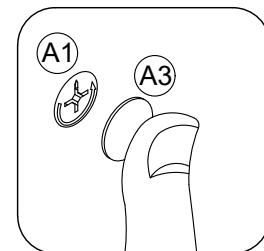
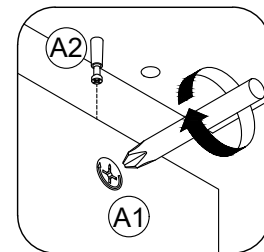
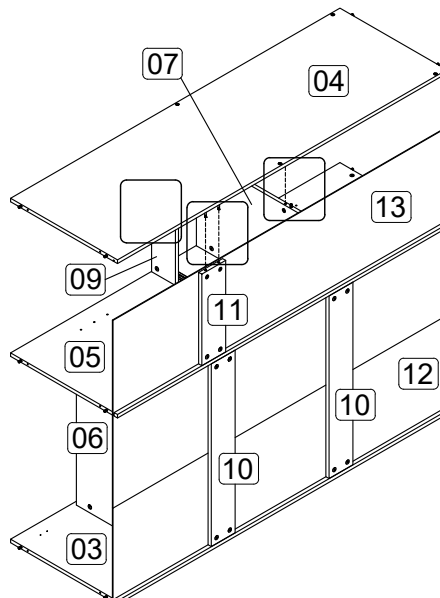
**Step 5:** Attach the panel (7), (9) and (11) to panel (5) using hardware A1 and A3 with a screwdriver (not provided).  
**DO NOT use any power tools as this may damage the frame and will invalidate any claim.**



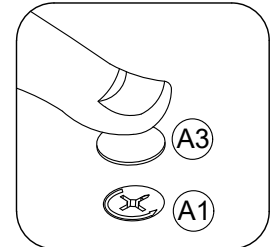
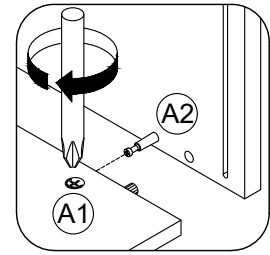
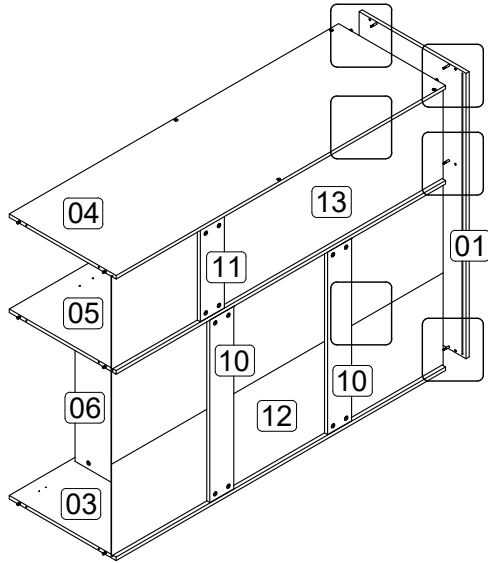
**Step 6:** Insert the panel (13) along the slot.  
**DO NOT use any power tools as this may damage the frame and will invalidate any claim.**



**Step 7:** Attach the panel (7), (9) and (11) to panel (4) using hardware A1 and A3 with a screwdriver (not provided).  
**DO NOT use any power tools as this may damage the frame and will invalidate any claim.**

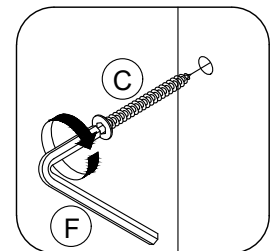
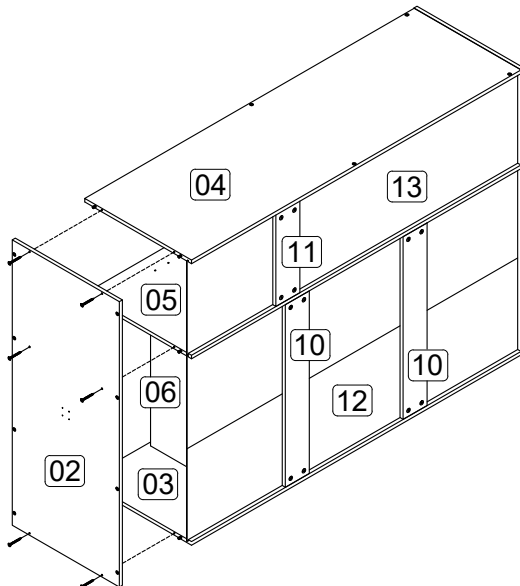


**Step 8:** Attach the panel (3), (4) and (5) to panel (1) using hardware A1 and A3 with a screwdriver (not provided).  
**DO NOT use any power tools as this may damage the frame and will invalidate any claim.**



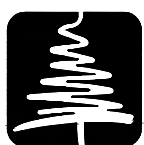
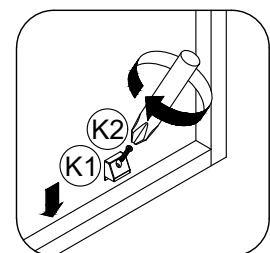
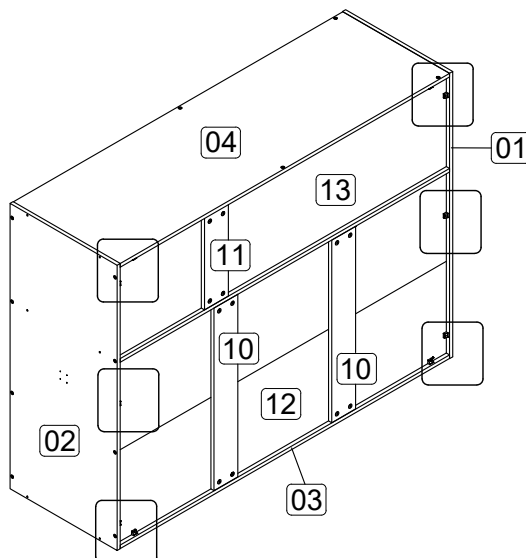
**Step 9:** Attach the panel (2) to panel (3), (4) and (5) using hardware C and F.

**DO NOT use any power tools as this may damage the frame and will invalidate any claim.**



**Step 10:** Attach hardware K1 into panel (1), (2), (3) and (4) using hardware K2 with a screwdriver (not provided).

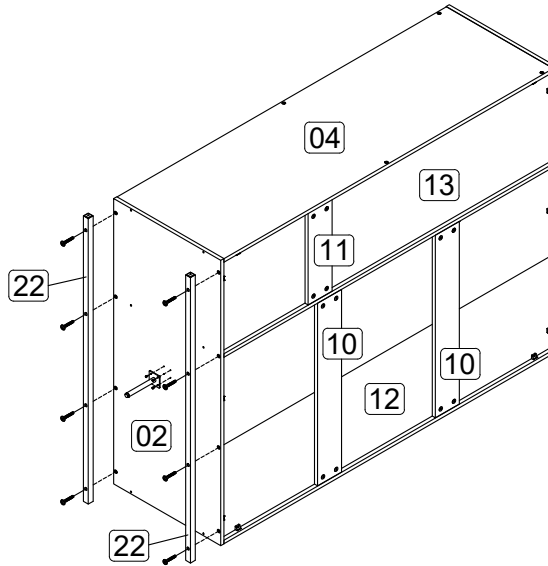
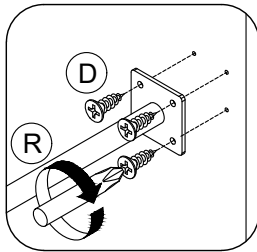
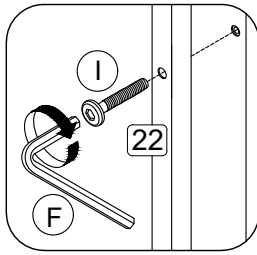
**DO NOT use any power tools as this may damage the frame and will invalidate any claim.**



**Step 11:** Attach the Metal Middle (22) to panel (2) using hardware I and F.

Assemble hardware R onto panel (2) using hardware D with a screwdriver (not provided).

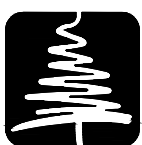
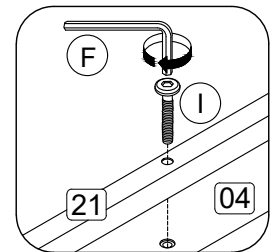
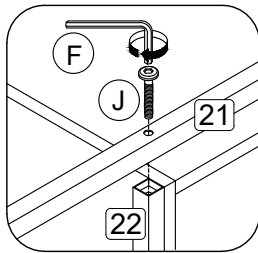
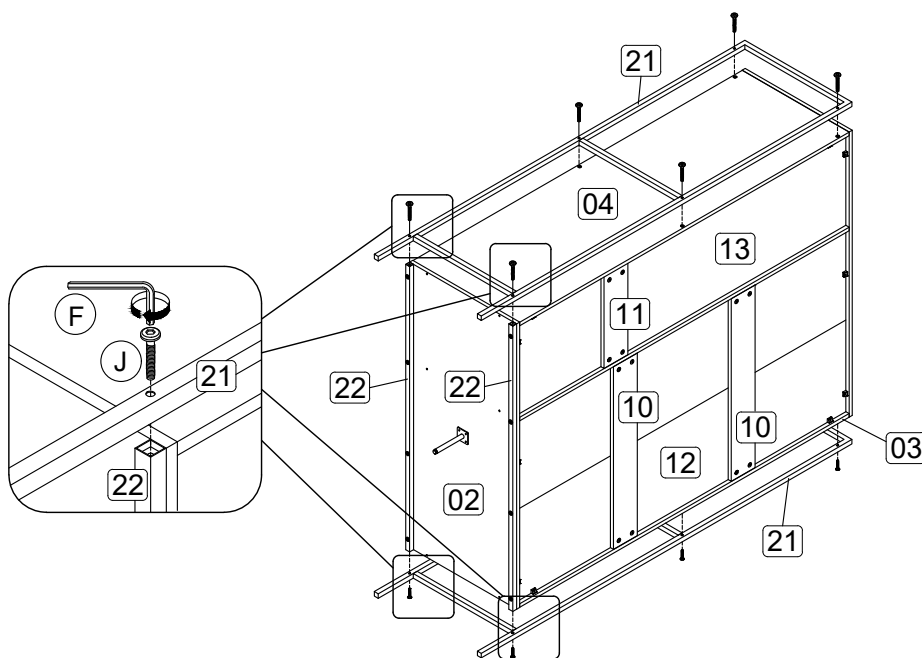
**DO NOT use any power tools as this may damage the frame and will invalidate any claim.**



**Step 12:** Attach the Metal Side (21) to panel (3) and (4) using hardware I and F.

Attach the Metal Side (21) to Metal Middle (22) using hardware J and F.

**DO NOT use any power tools as this may damage the frame and will invalidate any claim.**



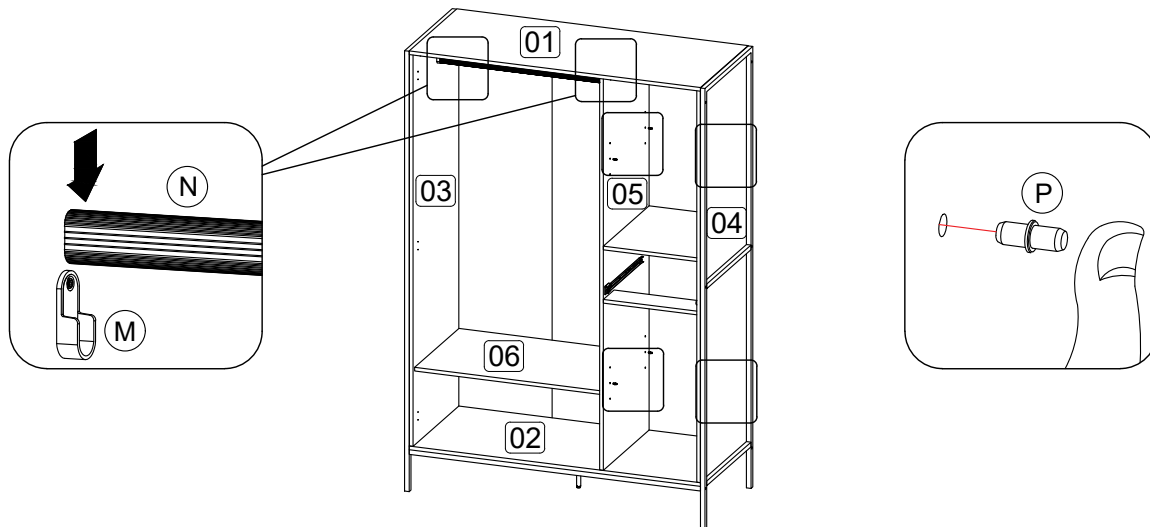
**Birlea**

Suppliers of inspiration

**Step 13:** Attach hardware N into hardware M.

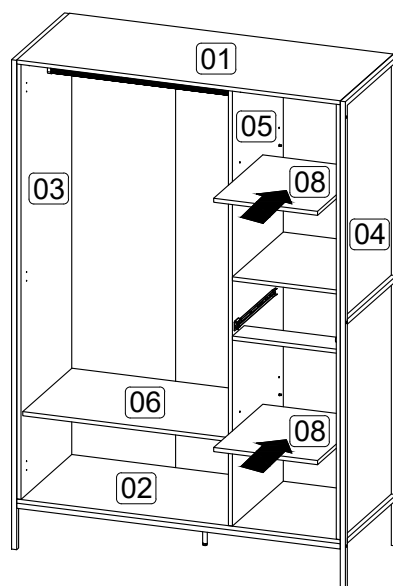
Insert hardware P into mounting positions on panel (4) and (5).

**DO NOT use any power tools as this may damage the frame and will invalidate any claim.**



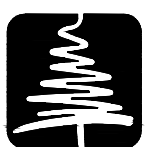
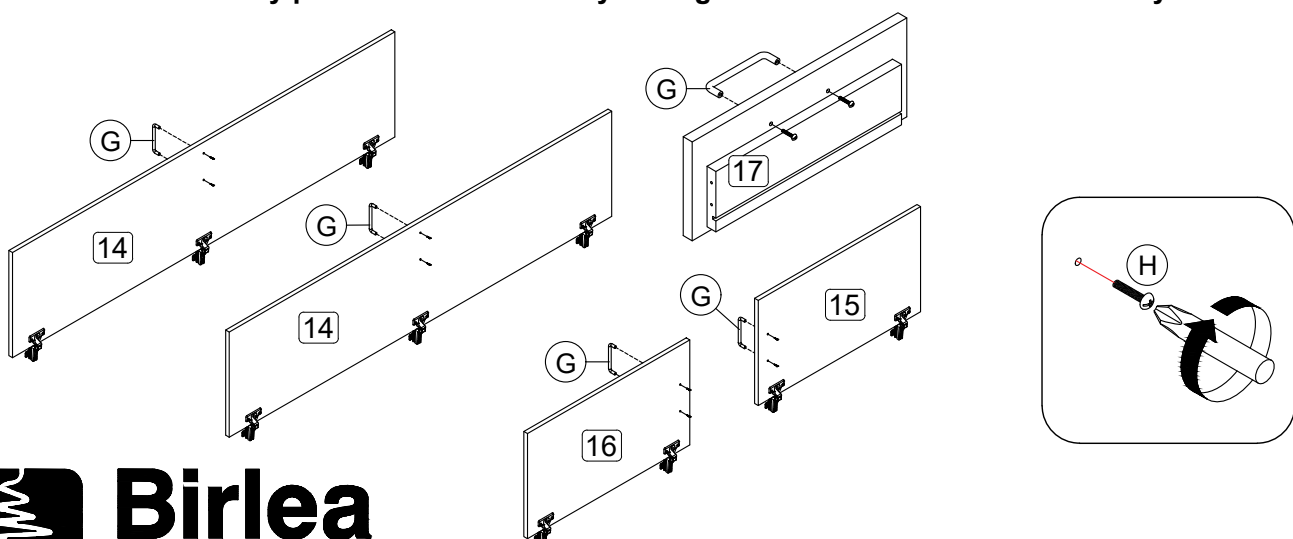
**Step 14:** Assemble the panel (8) between panel (4) and (5).

**DO NOT use any power tools as this may damage the frame and will invalidate any claim.**



**Step 15:** Fix hardware G onto panel (14), (15), (16) and (17) using hardware H with a screwdriver (not provided).

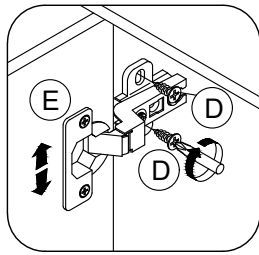
**DO NOT use any power tools as this may damage the frame and will invalidate any claim.**



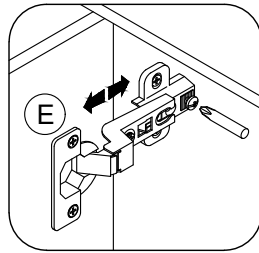
**Birlea**

Suppliers of inspiration

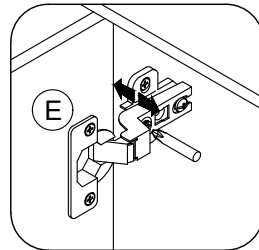
**Step 16:** Attach panel (14) to panel (3) and (5) using hardware D with a screwdriver (not provided). Attach panel (15) and (16) to panel (4) using hardware D with a screwdriver (not provided). **DO NOT use any power tools as this may damage the frame and will invalidate any claim.**



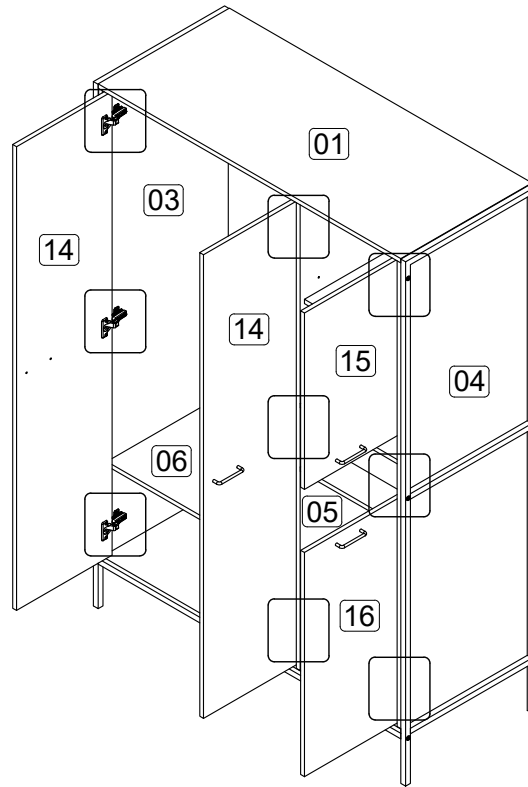
Vertical Adjustment



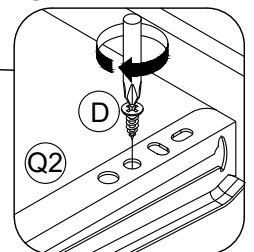
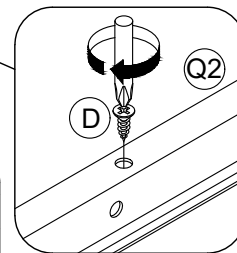
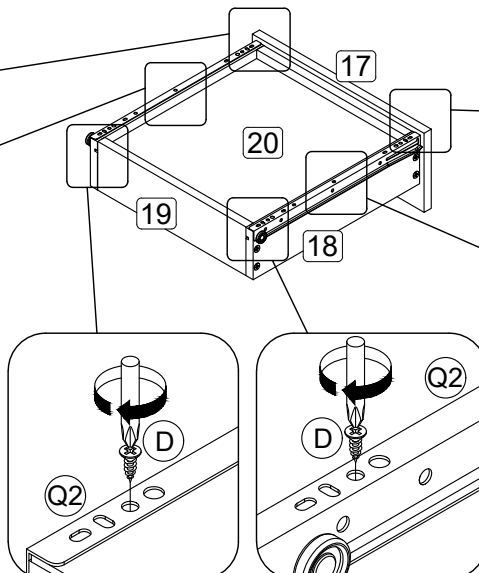
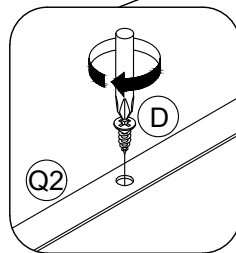
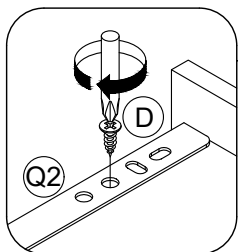
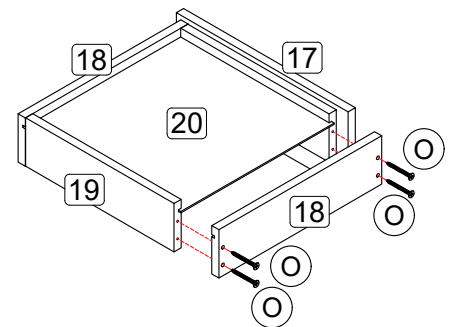
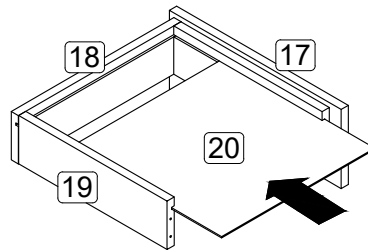
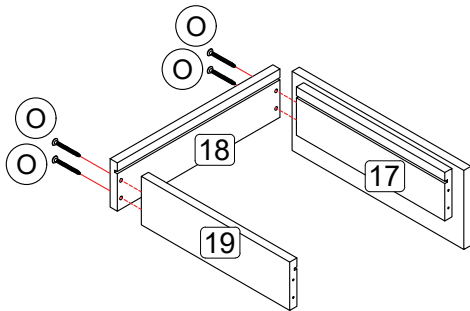
Horizontal Adjustment



Depth Adjustment

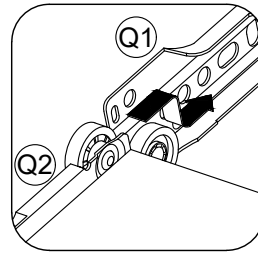
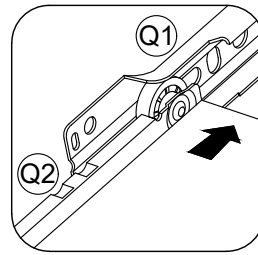
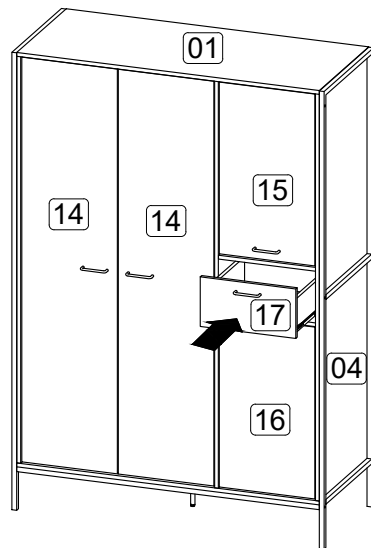


**Step 17:** Assemble the drawer components using hardware D, O and Q2. **DO NOT use any power tools as this may damage the frame and will invalidate any claim.**



**Step 18:** Assemble the drawer in place along the drawer slides.

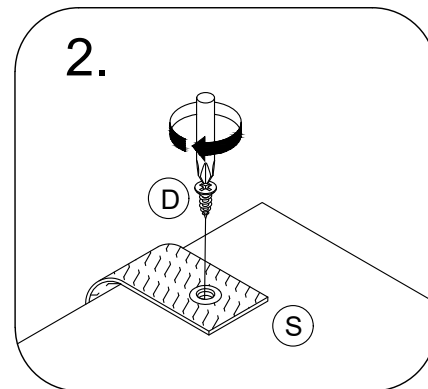
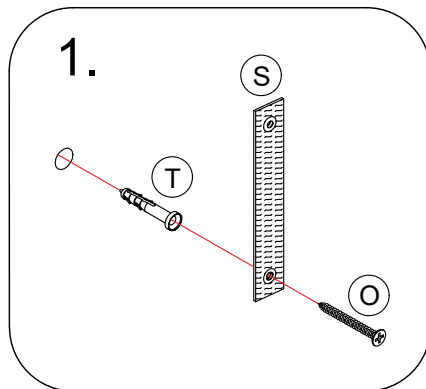
**DO NOT use any power tools as this may damage the frame and will invalidate any claim.**



**Step 19:** To secure the item to the wall use hardware O, S and T using a screwdriver (not provided).

Then attach hardware part S to the panel (1) using hardware D with a screwdriver (not provided).

**DO NOT use any power tools as this may damage the frame and will invalidate any claim.**

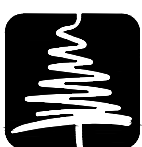


**PLEASE NOTE** that wall fixings are not supplied as different wall materials require different fixing devices. You must use fixings devices suitable for the type of wall you intend to mount product to. Ensure the head of any screw used has a diameter greater than the mounting hole and the fixing is safe and secure before use.

Birlea Furniture advise you use the wall straps provided to further enhance the safety of this product.

### Additional Information:

- For complete product information, images and dimension diagrams please visit the website [www.birlea.com](http://www.birlea.com)
- If you have any issues with your item please contact the retailer directly you purchased it from who will be able to resolve any issues with Birlea.
- Why don't you send us photos of your assembled furniture to [info@birlea.com](mailto:info@birlea.com) to be shared in our #birleahome feature on instagram.



# Birlea

Suppliers of inspiration