

# Birlea

Suppliers of inspiration

## Assembly Instructions

---

*Thank you* for  
purchasing a  
Birlea product.

For a chance to win a *Love 2 Shop* voucher simply post a picture of your new product on your preferred social channels tagging Birlea Furniture and using the hashtag **#ShareYourStyle** and **#Birlea**. One winner will be selected at random each month.

*To view our full terms and conditions please visit our website. [www.birlea.com](http://www.birlea.com)*

---

### Are you happy with your purchase?

**Yes:** That's great, we would love to hear more from you. Please leave us a review on our social media channels or Trustpilot. Your feedback will be greatly appreciated.

**No:** If for any reason there is something missing, indifferent or incorrect with your order, please contact the retailer you purchased the item from. We will work with the retailer to resolve your issue as quickly as possible.



[www.birlea.com](http://www.birlea.com)

## **ASSEMBLY INSTRUCTIONS** **URBAN 5 TIER BOOKCASE**

**IMPORTANT : READ THESE INSTRUCTIONS CAREFULLY BEFORE ATTEMPTING TO ASSEMBLE OR USE YOUR URBAN 5 TIER BOOKCASE.**

**PLEASE KEEP THESE INSTRUCTIONS FOR FUTURE REFERENCE.**

### **ASSEMBLY:**

Assembly should be carried out with this item laying flat, not standing upright.

Assemble on a soft, clean surface to prevent damages.

To erase the numbers printed on the pieces, use the rubber into the accessories pack.

### **HEALTH & SAFETY:**

DO NOT use this 5 tier bookcase if any parts are missing, damaged or worn.

DO NOT use this 5 tier bookcase unless all fixings are secured.

Always use on a level, even surface.

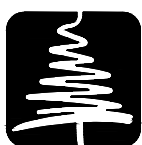
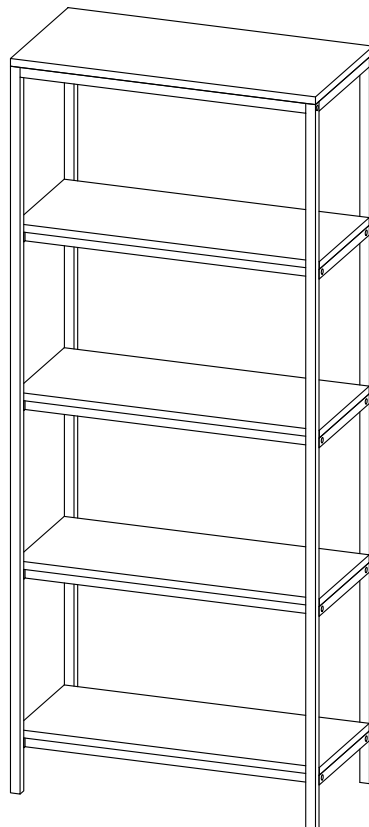
### **CARE & MAINTENANCE:**

Periodically check all screws & fixings to ensure they are secure.

DO NOT push the 5 tier bookcase as this will cause damage.

Always lift the 5 tier bookcase with two people to repositions.

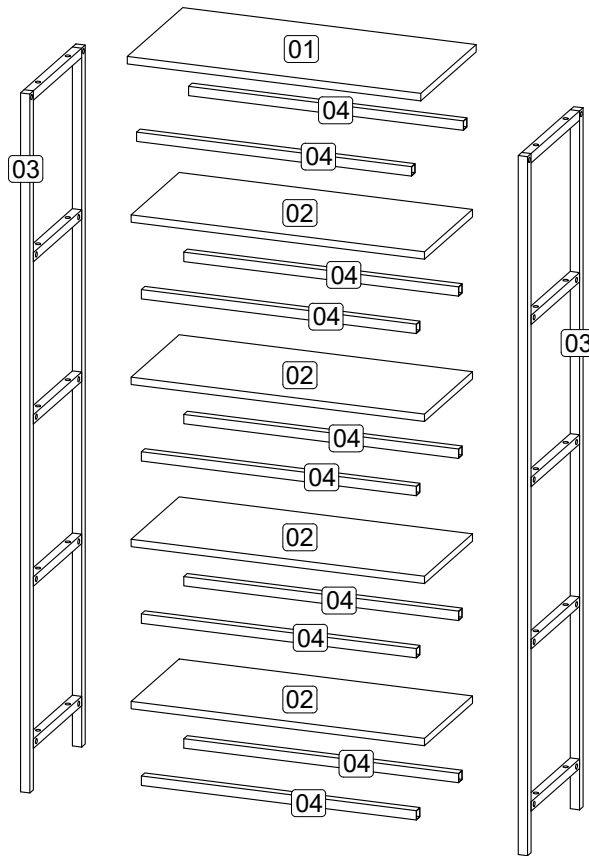
Keep any sharp objects away from the 5 tier bookcase.



# **Birlea**

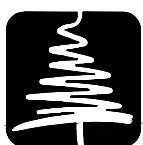
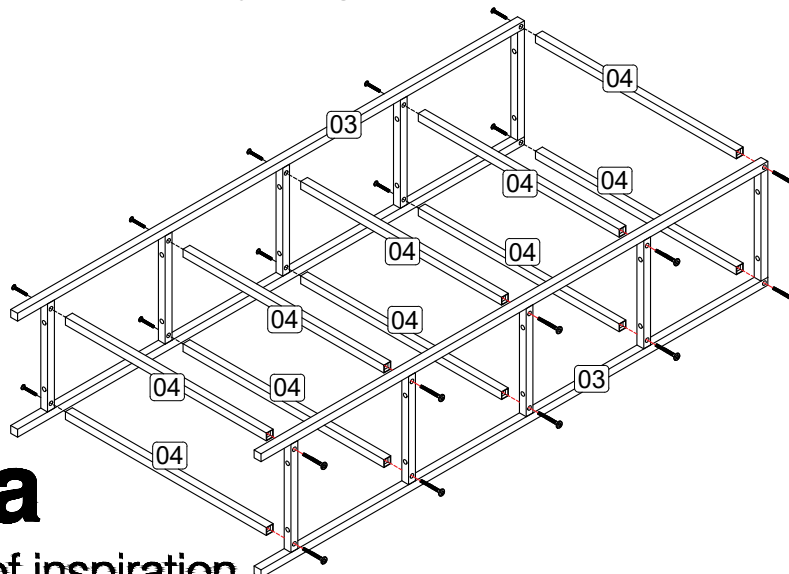
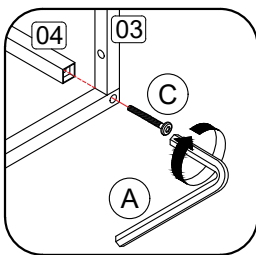
Suppliers of inspiration

[www.birlea.com](http://www.birlea.com)



Parts List			Hardware List		
Part	Description	Qty	Part	Description	Qty
01	Top panel	1	A	Allen key M4	1
02	Middle panel	4	B	JCBC screw M6 x 30mm	20
03	Metal Side ( Left & Right )	2	C	JCBC screw M6 x 40mm	20
04	Metal Middle	10	D	M3.5 x 16mm C.B Screw	2
<b>** You will need a small mallet and a screwdriver for assembly.</b> <b>** Some screws and wooden dowel may remain.</b> <b>** Note : To secure the item to the wall, hardware E ( 2 pcs ) and G ( 2 pcs ) are not provided.</b>			E	M4 x 38mm C.B Screw	-
			F	8" x 1" PP tape	2
			G	Wall plug	-

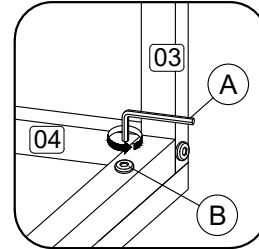
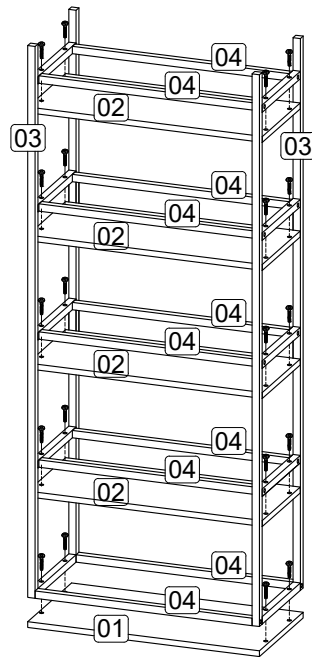
**Step 1:** Attach the Metal Middle (4) to Metal Side (3) using hardware A and C.  
**DO NOT use any power tools as this may damage the frame and will invalidate any claim.**



**Step 2:** Attach the Metal Side (3) to panel (1) using hardware A and B.

Attach the Metal Side (3) to panel (2) using hardware A and B.

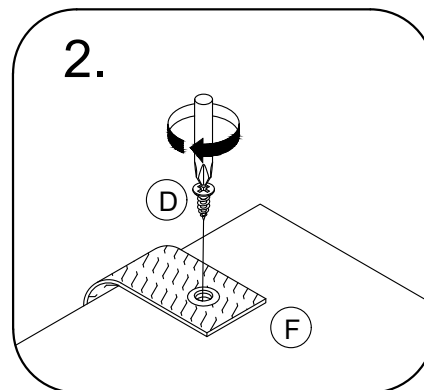
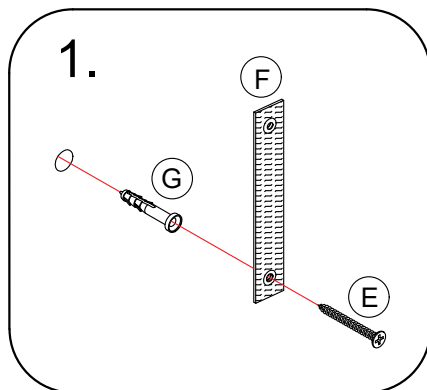
**DO NOT use any power tools as this may damage the frame and will invalidate any claim.**



**Step 3:** To secure the item to the wall use hardware E, F and G using a screwdriver (not provided).

Then attach hardware part F to the panel (1) using hardware D with a screwdriver (not provided).

**DO NOT use any power tools as this may damage the frame and will invalidate any claim.**

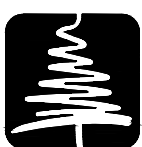


**PLEASE NOTE** that wall fixings are not supplied as different wall materials require different fixing devices. You must use fixings devices suitable for the type of wall you intend to mount product to. Ensure the head of any screw used has a diameter greater than the mounting hole and the fixing is safe and secure before use.

Birlea Furniture advise you use the wall straps provided to further enhance the safety of this product.

### Additional Information:

- For complete product information, images and dimension diagrams please visit the website [www.birlea.com](http://www.birlea.com)
- If you have any issues with your item please contact the retailer directly you purchased it from who will be able to resolve any issues with Birlea.
- Why don't you send us photos of your assembled furniture to [info@birlea.com](mailto:info@birlea.com) to be shared in our #birleahome feature on instagram.



# Birlea

Suppliers of inspiration